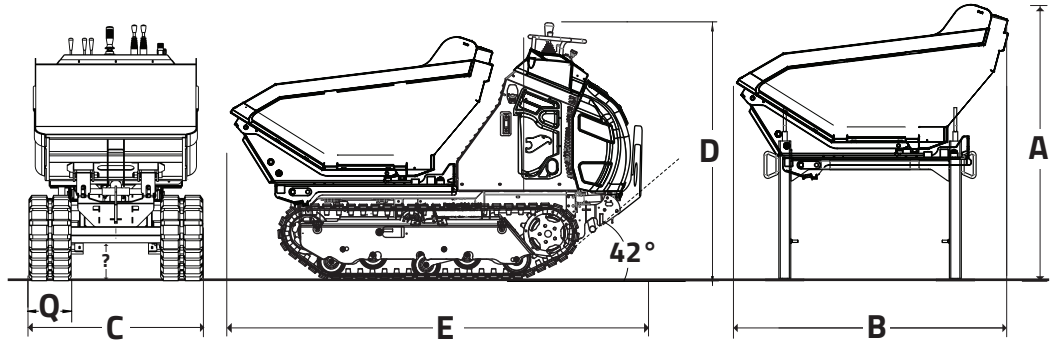
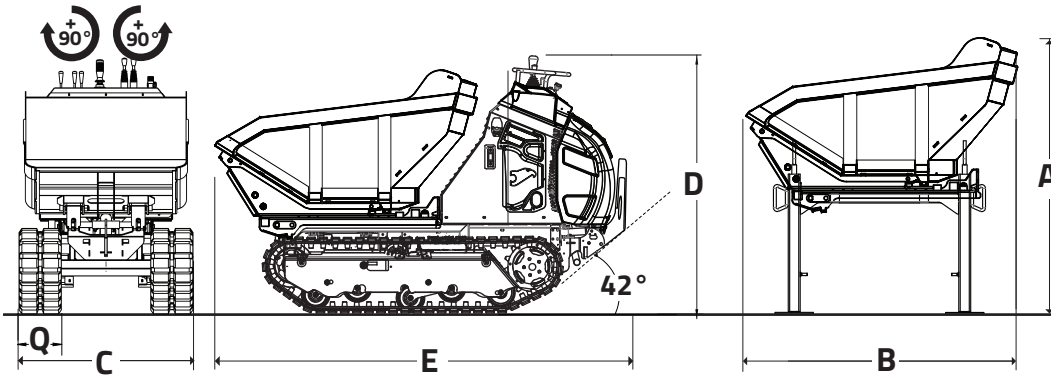


RI	C1200		C1500		C1600	
	mm	in	mm	in	mm	in
A	1224	48.2	1224	48.2	1224	48.2
B	1488	58.6	1593	62.7	1593	62.7
C	865	34.1	895	35.2	945	37.2
D	1350	53.2	1350	53.2	1350	53.2
Q	200	7.9	230	9.1	230	9.1
E	2333	91.7	2430	95.7	2430	95.7



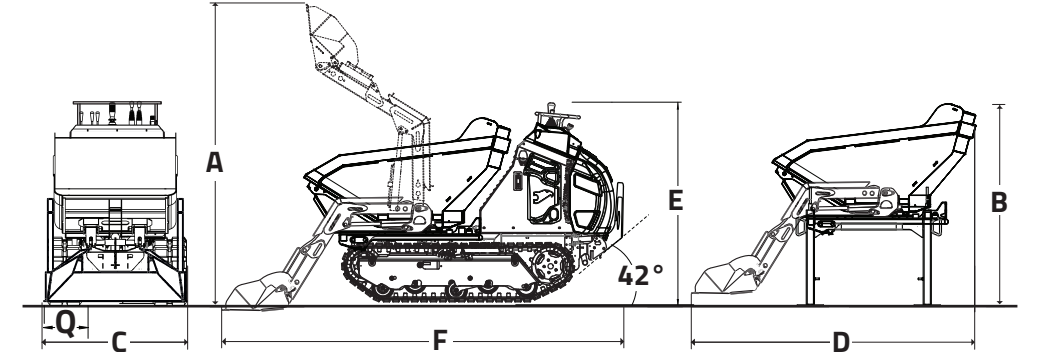
CMF WEIGHT	795 kg 1753 Lb	910 kg 2006 Lb	919 kg 2027 Lb
TOTAL WEIGHT	1051 kg 2317 Lb	1130 kg 2491 Lb	1139 kg 2511 Lb

RIX	C1200		C1500		C1600	
	mm	in	mm	in	mm	in
A	1330	52.4	1330	52.4	1330	52.4
B	1410	55.5	1460	57.5	1460	57.5
C	865	34.1	895	35.2	945	37.2
D	1350	53.2	1350	53.2	1350	53.2
Q	200	7.9	230	9.1	230	9.1
E	2330	91.7	2460	96.9	2460	96.9



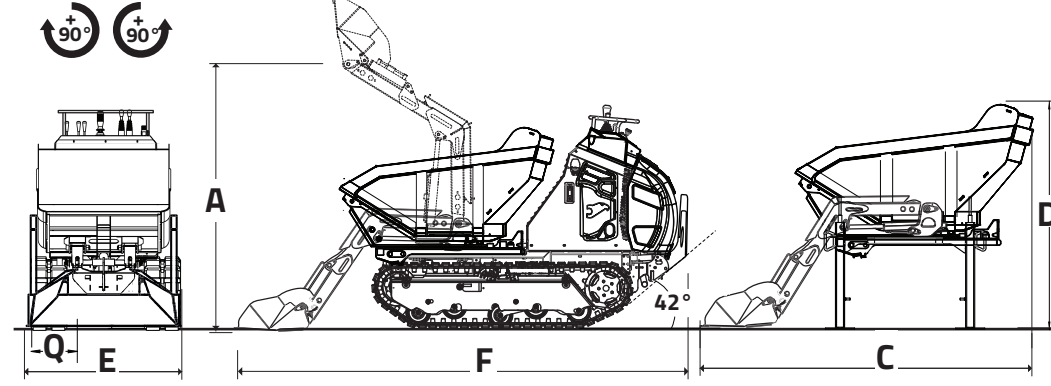
CMF WEIGHT	795 kg 1753 Lb	910 kg 2006 Lb	919 kg 2027 Lb
TOTAL WEIGHT	1035 kg 2282 Lb	1165 kg 2568 Lb	1174 kg 2588 Lb

ACW	C1200		C1500		C1600	
	mm	in	mm	in	mm	in
A	2127	83.7	2127	83.7	2127	83.7
B	1230	48.4	1230	48.4	1230	48.4
C	865	34.1	895	35.2	945	37.2
D	2072	81.6	2177	85.7	2177	85.7
E	1350	53.2	1350	53.2	1350	53.2
F	2890	113.8	2940	115.8	2940	115.8
Q	200	7.9	230	9.1	230	9.1



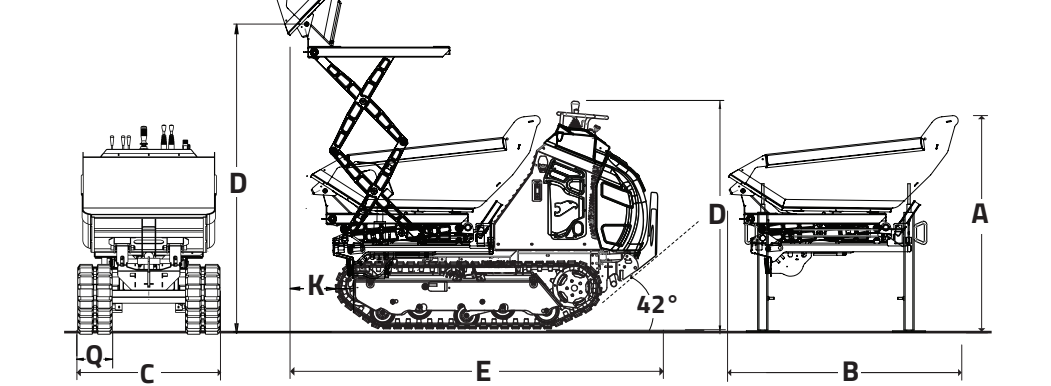
CMF WEIGHT	795 kg 1753 Lb	910 kg 2006 Lb	919 kg 2027 Lb
TOTAL WEIGHT	1110 kg 2447 Lb	1230 kg 2712 Lb	1239 kg 2732 Lb

ACWX	C1200		C1500		C1600	
	mm	in	mm	in	mm	in
A	1824	71.8	1870	73.6	1870	73.6
C	1980	78.0	2160	85.0	2160	85.0
D	1310	51.6	1310	51.6	1310	51.6
E	910	35.8	910	35.8	910	35.8
F	2870	113	2990	117.7	2990	117.7
Q	200	7.9	230	9.1	230	9.1



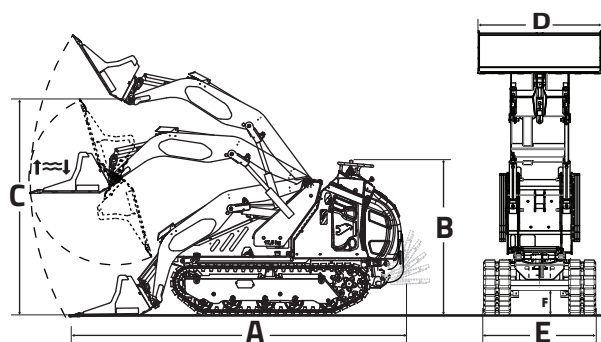
CMF WEIGHT	795 kg 1753 Lb	910 kg 2006 Lb	919 kg 2027 Lb
TOTAL WEIGHT	1165 kg 2568 Lb	1290 kg 2844 Lb	1299 kg 2864 Lb

HI	C1200		C1500		C1600	
	mm	in	mm	in	mm	in
A	1410	55.5	1410	55.5	1410	55.5
B	1493	58.8	1593	62.7	1593	62.7
C	865	34.1	895	35.2	945	37.2
D	1990	78.4	2060	81.5	2060	81.5
Q	200	7.9	230	9.1	230	9.1
E	2263	89.1	2395	94.3	2395	94.3
K	310	12.2	310	12.2	310	12.2



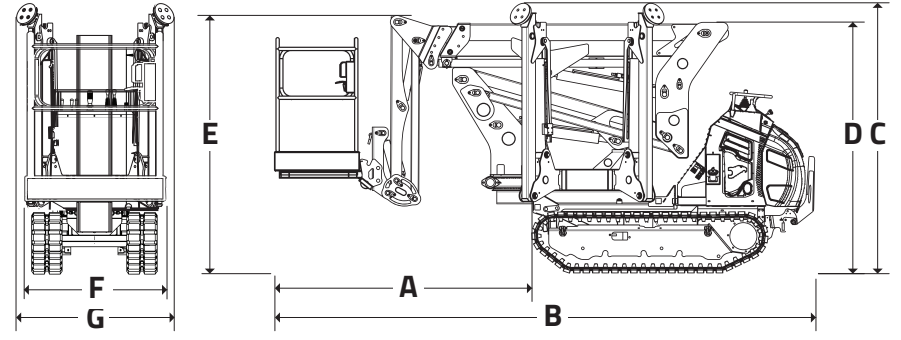
CMF WEIGHT	795 kg 1753 Lb	910 kg 2006 Lb	919 kg 2027 Lb
TOTAL WEIGHT	1138 kg 2508.9 Lb	1273 kg 2806.5 Lb	1282 kg 2826.3 Lb

ML	C1200		C1500		C1600	
	mm	in	mm	in	mm	in
A	2700	106.3	3000	118.1	3000	118.1
B	1370	53.9	1370	53.9	1370	53.9
C	2090	82.3	2200	86.6	2200	86.6
D	1045	41.1	1045	41.1	1045	41.1
E	865	34.1	895	35.2	945	37.2
F	250	9.8	250	9.8	250	9.8



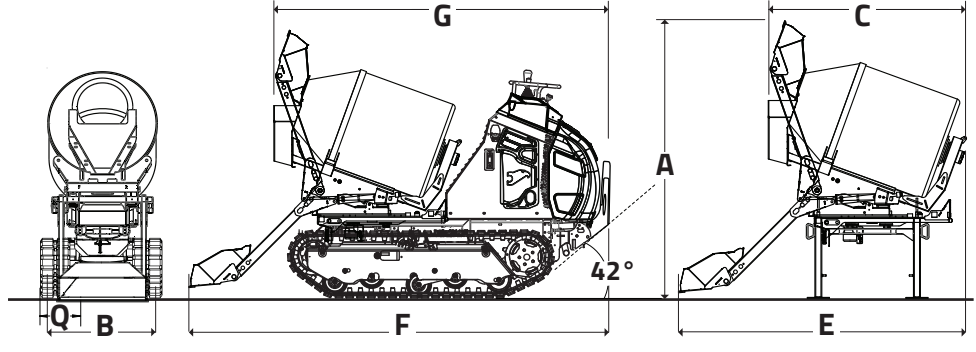
WEIGHT MACHINE	795 kg 1753 Lb	910 kg 2006 Lb	919 kg 2027 Lb
WEIGHT TOTAL	1220 kg 2690 Lb	1384 kg 3051 Lb	1393 kg 3072 Lb

KB11	C1500		C1600	
	mm	in	mm	in
A	1960	77.2	1960	77.2
B	4120	162.2	4120	162.2
C	2030	80.0	2030	80.0
D	1930	76.0	1930	76.0
E	1980	78.0	1980	78.0
F	1060	41.7	1060	41.7
G	1140	44.9	1140	44.9



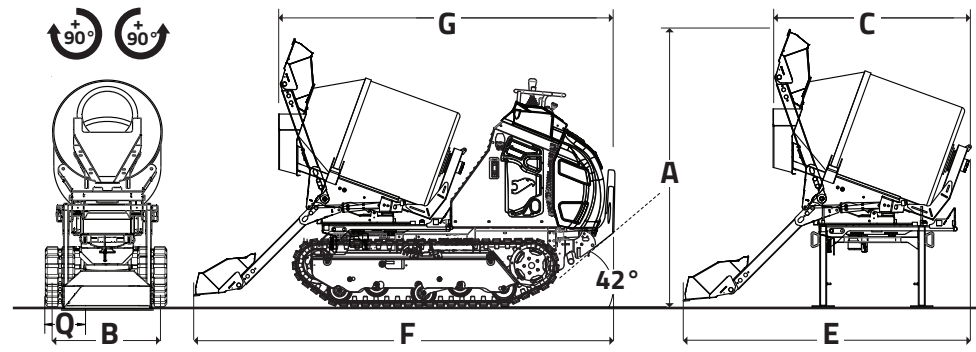
WEIGHT MACHINE	910 kg 2006 Lb	919 kg 2027 Lb
WEIGHT TOTAL	2010 kg 4431.1 Lb	2019 kg 4452.1 Lb

Beton RI Beton AC	C1200		C1500		C1600	
	mm	in	mm	in	mm	in
A	1880	74.0	1880	74.0	1880	74.0
B	728	28.7	728	28.7	728	28.7
C	1880	74.0	2060	81.1	2060	81.1
E	2570	101.2	2750	108.3	2750	108.3
F	3200	126.0	3400	133.9	3400	133.9
Q	200	7.9	230	9.1	230	9.1
G	2400	94.5	2600	102.3	2600	102.3



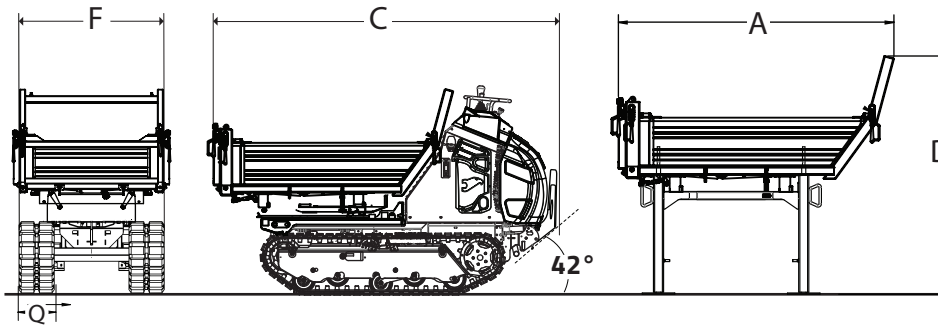
WEIGHT MACHINE	795 kg 1753 Lb	910 kg 2006 Lb	919 kg 2027 Lb
WEIGHT TOTAL	RI 1130 kg 2491 Lb	RI 1265 kg 2789 Lb	RI 1274 kg 2809 Lb
WEIGHT TOTAL	AC 1225 kg 2701 Lb	AC 1360 kg 2998 Lb	AC 1369 kg 3018 Lb

Beton RIX Beton ACX	C1200		C1500		C1600	
	mm	in	mm	in	mm	in
A	1880	74.0	1880	74.0	1880	74.0
B	728	28.7	728	28.7	728	28.7
C	1880	74.0	2060	81.1	2060	81.1
E	2570	101.2	2750	108.3	2750	108.3
F	3200	126.0	3400	133.9	3400	133.9
Q	200	7.9	230	9.1	230	9.1
G	2400	94.5	2600	102.3	2600	102.3



WEIGHT MACHINE	795 kg 1753 Lb	910 kg 2006 Lb	919 kg 2027 Lb
WEIGHT TOTAL	RIX 1200 kg 2646 Lb	RIX 1345 kg 2965 Lb	RIX 1354 kg 2985 Lb
WEIGHT TOTAL	ACX 1295 kg 2855 Lb	ACX 1440 kg 3175 Lb	ACX 1449 kg 3195 Lb

3S	C1200		C1500		C1600	
	mm	in	mm	in	mm	in
A	1550	61.0	1630	64.2	1630	64.2
B	2330	91.7	2510	98.8	2510	98.8
C	1247	49.1	1247	49.1	1247	49.1
D	1010	39.8	1010	39.8	1010	39.8
Q	200	7.9	230	9.1	230	9.1



WEIGHT MACHINE	795 kg 1753 Lb	910 kg 2006 Lb	919 kg 2027 Lb
WEIGHT TOTAL	1100 kg 2372 Lb	1230 kg 2293 Lb	1049 kg 2313 Lb