



# TECHNICAL DATA

## COMPACT PAVER

TECHNICAL DATA	D12C
<b>DIMENSIONS</b>	
Weight, lbs	15,400
Transport width (with main screed)	57"
Transport length/height	172.4"/ 79.5"
<b>CAPACITY</b>	
Theoretical placement capacity, t/h	300
Paving thickness (max)	6"
<b>MATERIAL HOPPER</b>	
Hopper capacity, cu.ft/tons	88/5.5
<b>TRACTION</b>	
Paving speed	up to 88 f/min
Transport speed	2.1 mph
<b>ENGINE</b>	
Engine model	Deutz TD2.9 L4
Engine power @ 2200 rpm, hp EU StageV/EPA Tier4f	74.2
Electrical system, V	2 x 12 V 72 Ah
Fuel tank capacity	18.7 gal
<b>CRAWLER</b>	
Crawler length/width	55"/7.87"
Final drive	Hydrostatic direct drive over transmissions
<b>CONVEYOR</b>	
Conveyor type	Splitted conveyor drive with centre cover, reversible
Conveyor width	24.41"
Conveyor control	Automatic with limit switches
<b>AUGER</b>	
Auger diameter	12.6"
Auger control	Proportional speed control, both sides driven independently, reversible
Auger height adjustment	Infinitely variable by 5.9"
<b>SCREED OPTIONS</b>	
Vario screeds	VF240VE, V2400TVE

DYNAPAC

# COMPACT TRACKED PAVER

D12C







## EFFICIENT OPERATION

# SOLID PAVER FOR URBAN JOBS

*Compact in size, wide variety of applications*

*Paves 'below zero'*

*Unique with RC360 Remote Control*

*High through-put with unique feed system*

*Strong tractor with front extension screed for North America*

The combination of compact dimensions with the high performance screed and generous material handling system makes the Dynapac D12C the perfect partner for numerous applications. This paver is the right choice whenever high quality results between 1.9 ft up to 7.3 ft are needed. Thanks to its remarkable screed, a perfect mat quality is ensured even during challenging jobsite requirements. With the unique remote control RC360, every paving job becomes even safer and smarter since the operator is not tied to the dashboard and can position themselves wherever they can work best.



# SIMPLE, EFFICIENT & CONVENIENT

## FULL CONTROL AT A GLANCE

### HIGH BUFFER CAPACITY MEETS FLEXIBILITY

A large hopper design with hydraulic front flaps can buffer up to 5.5 tons of material, giving you the flexibility you need when in narrow situations where filling is difficult.

### ASYMMETRICAL HOPPER

Adapt to different job site conditions and material logistics with an asymmetrical hopper design for efficient material feeding.

### FRONT HOPPER FLAPS

The hydraulic-controlled front flaps keep spillage to a minimum. They also help during demanding feeding situations and come with a cleanup-friendly design for faster quitting times.

NEW

### PROPORTIONAL MATERIAL CONTROL

Optimize material flow with automatic regulation of material transfer, ensuring a consistent and efficient flow throughout the paving process.

### WIDE CONVEYOR

The widest tunnel in the market gives you 300t/h capacity, reduces segregations and easily conveys all kinds of material – even with large stones.

### PIVOTABLE PUSH ROLLERS

The pivotable push rollers have a robust and practical design with a travel adjustment of 2.36" (front/rear) for various truck configurations.

### TOW ARM GEOMETRY

The precision-engineered tow arm geometry offers paving thicknesses from -5.9" up to 6" to pave below zero/ track level.

### EFFICIENT DRIVE

Reduce fuel consumption and emissions with the high-efficiency 4-cylinder 55.4 kW Deutz diesel engine, delivering an optimal power-to-performance ratio.

### TENSION ADJUSTABLE CATERPILLAR CHAINS

Ensure proper tension during operation and avoid downtime with the easily adjustable caterpillar chains' grease tensioners.

### LEAN DASHBOARD

The intuitive self-explanatory dashboard with toggle switches and the colored display is easy to understand and remarkably robust. Ideal for quick learning during fluctuating crews.

### SMOOTH MATERIAL DISTRIBUTION

12.6" auger wings ensures a smooth material distribution and sufficient material in front of the screed even at 7.3 ft width.

### PLATFORM WITH SLIDABLE STEPS

The entire platform can be folded up for transport or paving situations close to walls which reduces on-site calculations and saves time. The convenient backrest contains a lockable storage compartment.

NEW

### SMOOTH OPERATION

Effortless control is one of our key focus areas. The addition of the hydraulic adjustment of auger height provides greater operator comfort, allowing for quick, easy, and precise height adjustment.

NEW

### OPERATION COMFORT REDESIGNED

The D12C comes with a redesigned side engine doors. Not only sleek and modern in appearance, but they are also designed to direct outflowing air away from the screed operator, promoting a more comfortable and safe working environment.





# RC360

## POWER WITHOUT TYING YOU DOWN

Optional remote control ensures that the operator has an excellent overview and stays away from the asphalt fumes.

### RC360 REMOTE CONTROL

WITH THE RC360 A NEW LEVEL OF PAVER OPERATION BEGINS  
The RC360 is a radio remote control that enables the operator to handle the machine from a distance, creating new possibilities for heightening paving quality and operational safety. The RC360 enables the user to operate in tight spaces for optimal results.

### HIGH COMFORT

The adjustable shoulder straps give the operator the comfort needed to work ergonomically for the whole day. The RC360 comes with a case, charging devices with a machine connector, and an external supply.

### HIGHEST SAFETY LEVEL

When the operator exceeds a distance of 32.8ft the paver stops. The paver also stops automatically when the remote is tilted higher than 45°.

### KEEPING OPERATORS AWAY FROM FUMES

With the Dynapac RC360, the operator can keep a distance from the asphalt fumes.

### EXTREMELY USEFUL IN DEMANDING PAVING SITUATIONS

Whenever precise paving is required, the Dynapac RC360 allows the operator to position himself in the place with the best visibility for a perfect paving job.

### DRIVING

- Warning and indication lights
- Speed
- Steering and joystick
- Horn
- Emergency button

### PAVING

- Hopper wings
- Conveyor automatic/manual/reverse
- Auger automatic/manual/reverse
- Automatic filling



### SCREED CONTROL

- Screed lift and float
- Screed in and out
- Levelling arms for up and down



## JOB SITE CONFIDENCE

Keep your team confident and healthy when operating on the job site. Ensure good working safety, ergonomics and easy to use operating systems.

### MACHINE USABILITY

**FULL VISIBILITY EVEN DURING NIGHT JOBS**  
Four smartly positioned LED lights brighten every work environment. Optional additional lights with magnetic holders can be placed around the machine for extra luminosity.

**FINISH THE JOB WITH YOUR PAVER, NOT A SHOVEL**  
The screed arm geometry allows the screed to pave below the paver. This allows you to finish spot repairs with a smooth finish without hand shoveling.

### NEW ERGONOMICS

**SMOOTH OPERATION**  
Effortless control is one of our key focus areas. The addition of the hydraulic adjustment of auger height provides greater operator comfort, allowing for quick, easy, and precise height adjustment.

**POWER UP YOUR ACCESSORIES**  
Charge your mobile, plug in lights or other devices, all through a USB, 24V or 230V sockets, all within reach from the operator's station.

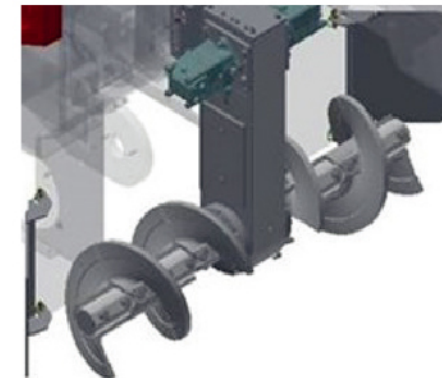
**REACHABLE CONTROLS**  
The entire machine is designed to have all controls right there where you need them. The Dynapac HMI, the Side Shield Controls, and the Dynapac Screed Remote are the key interfaces between the operator and the paver.

### HEALTH & SAFETY

**REDUCED NOISE EXPOSURE**  
Avoid health risks due to high noise exposure. The Dynapac 104 dB(A) guidelines are backed by an extremely quiet screed.

**EXTEND YOUR WORKPLACE**  
The slidable steps extend the operator platform for full visibility.

**LATEST STANDARDS**  
At Dynapac we follow the latest industry standards on safety and emissions.







### OPERATION COMFORT REDESIGNED

The D12C comes with a redesigned side engine doors. Not only sleek and modern in appearance, but they are also designed to direct out-flowing air away from the screed operator, promoting a more comfortable and safe working environment.



# HIGH QUALITY & PRODUCTIVITY

Increase the productivity of your job sites through efficient paving and compaction operation. Reduce non-productive times on the job site.

## APPLICATION THROUGHPUT & OUTPUT

**COMPACT IN SIZE, BIG IN RESULTS**  
An efficient power pack, plus great material handling and a stable and high-performance screed can handle a variety of job sites.

**HIGH MANEUVERABILITY**  
Stable and smooth-running performance with smartly positioned track rollers that enable fast repositioning and an immediate restart.

**NEW** **PROPORTIONAL CONTROL OF AUGER AND CONVEYOR**  
Benefit from precise control of auger and conveyor systems that helps maintain a consistent material flow during paving operation. The proportional control ensures smooth and even distribution of material across the screed for optimal results.

## SET-UP, DISMANTLING & CLEANING TIME

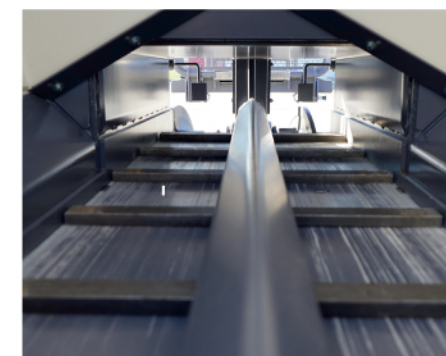
**QUICK MACHINE CLEAN UP**  
Easy cleaning with the integrated emulsion spray equipment, complete with a tank and hose reel. A dedicated cleaning mode for the conveyor auger, screed, and a cleaning-friendly hydraulic front flap design.

**NO TIME TO WASTE**  
Electrically heated, powered by a powerful 10.5kVA generator, you can quickly heat up your screed with even heat distribution for a perfect mat quality.

## PLANNING, DOCUMENTATION & CALCULATION PROCESS

**KEEP THE OVERVIEW:**  
Track your machine's status live with our telematics system Dyn@link.

**OPTIMIZED SERVICE ACCESS**  
Fast access to all valves and liquids with the Dynapac Service Concept.







# LOW COST OF OWNERSHIP

Improve the overall profitability of your investment by reducing operational costs while maintaining a high equipment value.

## MAINTENANCE COST

### FAST ACCESS

With the Dynapac Service Concept, everything is quickly and easily within reach.

### PERFECT TIMING

Plan your maintenance when the machine has free slots with Dyn@link.

### DYNAPAC SERVICE CONCEPT

Designed with versatility in mind, the D12C is a perfect blend of simplicity and efficiency. Direct access to main hydraulic pumps and motors, as well as oil, fuel, and air filters for quick interventions and reduced downtime.

## PERSONNEL COST

### QUICK TO MASTER

The time-tested, easy and intuitive controls enable you and your crew to get off to a fast and productive start. The colorful LCD display allows monitoring of the main machine functions.

## RESALE VALUE

### EXTEND THE MACHINE'S LIFETIME

Preventive maintenance is key for a prolonged machine lifetime. The Genuine Wear Parts Kit and Service Concept help you to better maintain your machine throughout the years.



# ENVIRONMENT & SUSTAINABILITY

Protect the environment. Show your social responsibility and win in tenders that require low CO2 and noise emissions.

## CARBON FOOTPRINT

### OPTIMUM SCREED TEMPERATURE

The option of setting the screed temperature on the display ensures that asphalt and screed temperature match for efficient energy consumption.

### STEPLESS ECOMODE

Precisely adjust the engine rpm x to the job site requirement to reduce noise and fuel consumption to a minimum.

### HVO READY

The D12C now run on HVO fuel. This innovative, fossil-free fuel reduces greenhouse gas emissions by up to 90% and offers superior burning efficiency. No need for modifications – just top up and go. By using HVO, the machine deliver the same performance while significantly contributing to a greener future.

## NOISE EMISSION

### AMBITIOUS INTERNAL GUIDELINES

We have set ourselves the goal for all our machines to perform within a noise level range below 104 dB(A).

### GET AWAY FROM THE NOISE AND FUMES

With the RC360 its easy to stay out of noise and asphalt fumes.

## RECYCLING CONTENT

### RE-USE IS A CORE VALUE

All Dynapac machines are made of up to 95% of recyclable material.





The high-performance screed, combined with the compact vehicle dimensions and generous material handling system makes the D12C ideal for a wide range of applications.

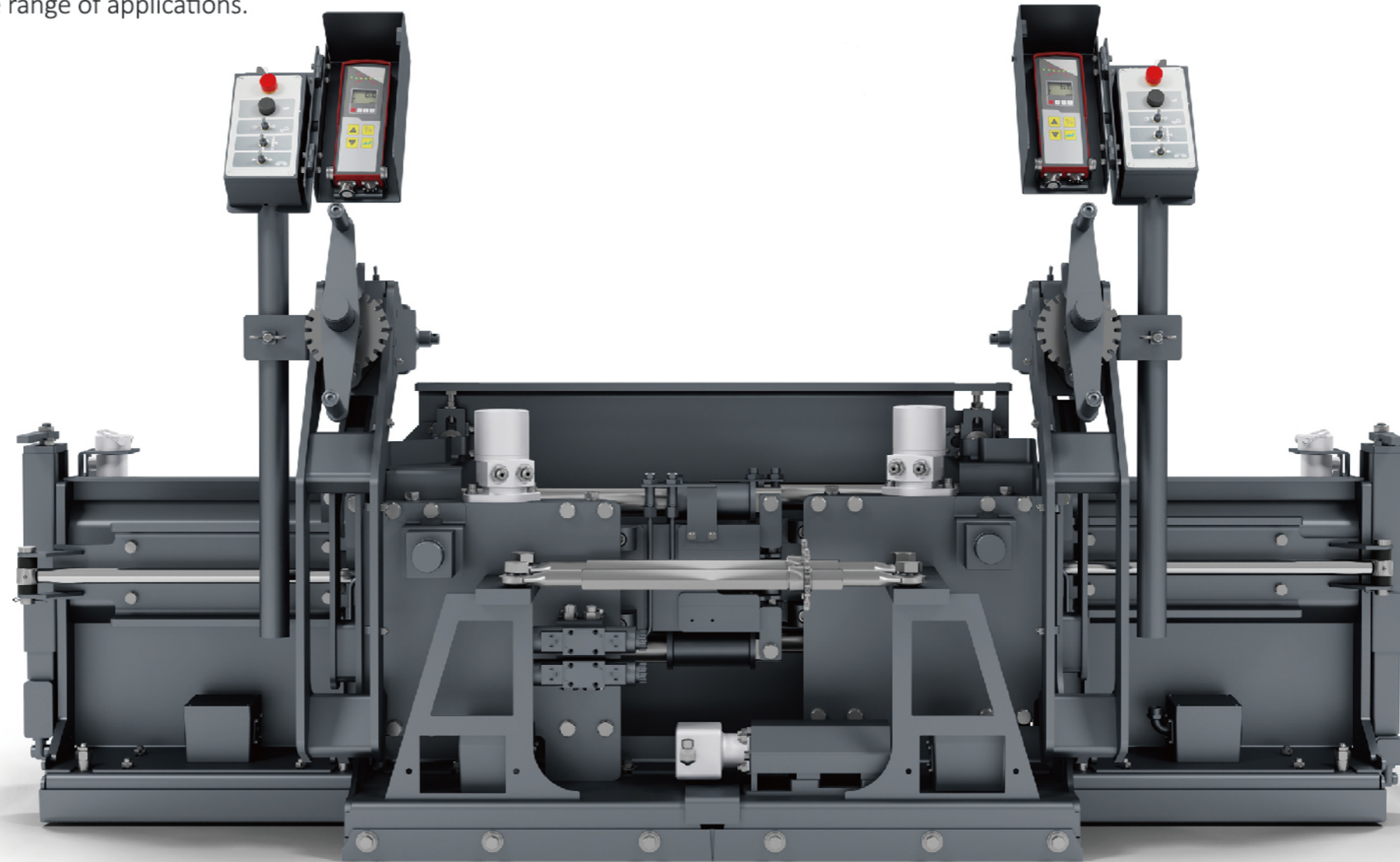
### REDUCTION SHOES

The reduction shoes kit can be mounted on the screed with this kit, the machine can be used to fill in trenches or small paths.

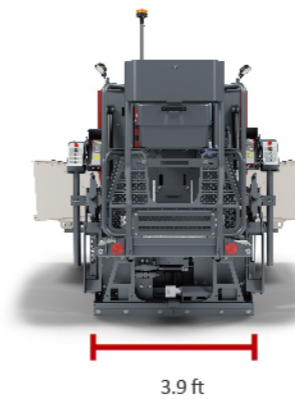
### TEMPERATURE CONTROL

Requested screed temperature can be set by the operator on the dashboard. This ensures that asphalt and screed temperatures match for excellent mat quality.

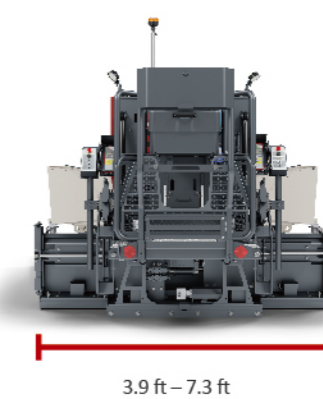
The VF240VE has a temperature control unit, ensuring that no energy is wasted and the screed is always at optimum temperatures.



# VF240VE HIGH CLASS SCREED DESIGN



3.9 ft



3.9 ft - 7.3 ft

- Screed Width -



The Compact Paver with its best-in-class screed quality ensures that every surface from walkways and bike paths to underground garages and alleys, get the desired results safely, economically, and with maximum operational comfort.



**SMALL TRACK WIDTH FOR SPOT REPAIRS**

With versatility in mind, the D12C was designed to fit into even the tightest cold milling spots. With an external track width of just 1.14 meters (~45 inches), it seamlessly fits into market-standard milling spots of up to 1.20 meters (~47 inches). This means you can get the job done with ease, even in the most challenging of environments, without having to compromise on performance or precision.

**SMALL MACHINE WIDTH FOR CONFINED SPACES**

The Dynapac D12C features a compact width of just 45.9 ft when the hopper is closed. This slim design allows for seamless navigation through tight spaces, such as gates and doorways, making it the ideal solution for tackling projects in narrow and confined areas.

**PAVE CLOSE TO WALLS OR BUILDINGS**

Dynapac's D12C can pave as close as 3.9" to walls or buildings, enabling it to work in densely built-up areas.



**PARKING LOTS**



**UNDERGROUND PARKING**



**CYCLEWAYS**



**SMALL ROADWAYS**



**ALLEYS**



**WALKWAYS**

**APPLICATIONS**

**SMALL SIZE  
BIG  
IMPACT**