



## TECHNICAL DATA

### MASSES

|                              |       |
|------------------------------|-------|
| Mass (incl. standard screed) | 5.8 t |
| Mass (tractor)               | 4.3 t |

### DIMENSIONS

|   |        |
|---|--------|
| Basic width                                 | 2.60 m |
| Front ramp angle                            | 11°    |
| Working width, hydraulic extendable         | 4.30 m |
| Working width, max.                         | 4.30 m |
| Working width, minimum (with reducing shoe) | 0.30 m |

### CAPACITY

|                                |               |
|--------------------------------|---------------|
| Paving thickness (max/min)     | 150 mm / 0 mm |
| Theoretical placement capacity | 400 t/h       |

### MATERIAL HOPPER

|                        |         |
|------------------------|---------|
| Capacity               | 6.0 t   |
| Dumping height, center | 530 mm  |
| Hopper width, internal | 3125 mm |

### TRACTION

|                 |          |
|-----------------|----------|
| Paving speed    | 0-43 mpm |
| Transport speed | 5.0 km/h |

### UNDERCARRIAGE

|                |                               |
|----------------|-------------------------------|
| Crawler length | 1397 mm                       |
| Crawler width  | 305 mm                        |
| Final drive    | Hydrostatic with gear reducer |
| Type           | Steel track with poly pad     |

### ENGINE

|                            |                      |
|----------------------------|----------------------|
| Manufacturer/Model         | Cummins QSF 2.8      |
| Emissions according to     | EPA T4F/EU4          |
| Electrical system          | 12V                  |
| Fuel tank capacity         | 53 l                 |
| Heating generator capacity | 12 kw, 240v, 1 Phase |
| Rated power, SAE J1995     | 74 hp @ 2200 rpm     |

### ENGINE

|                    |                         |
|--------------------|-------------------------|
| Manufacturer/Model | Cummins QSF 2.8, EPA T3 |
| Rated power        | 54 kw (72 hp)           |

### CONVEYOR

|                  |                    |
|------------------|--------------------|
| Conveyor control | On /Off            |
| Conveyor type    | Dual slat conveyor |
| Conveyor width   | 610 mm             |

### AUGER

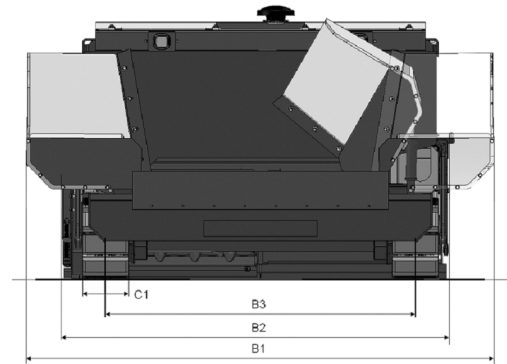
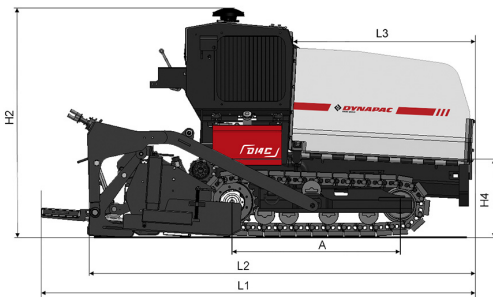
|                 |  |
|-----------------|--|
| Auger control   | Automatically with ultrasonic sensor   |
| Auger diameter  | 230 mm                                 |
| Extension auger | 9 inches, mounted on screed extensions |

Find us locally at [www.dynapac.com](http://www.dynapac.com)

We reserve the right to change specifications without notice. Photos and illustrations do not always show standard versions of machines. The above information is a general description only, all informations are supplied without liability.



## DIMENSIONS



### DIMENSIONS

|                             |         |
|-----------------------------|---------|
| A. Axle track               | 1397 mm |
| B1. Width, max.             | 3175 mm |
| B2. Width, standard         | 2590 mm |
| B3. Width, center of tracks | 2030 mm |
| C1. Track width             | 305 mm  |
| H2. Height, transport       | 1630 mm |
| H4. Dumping height          | 535 mm  |
| L1. Length, total           | 3450 mm |
| L2. Length, transport       | 3450 mm |
| L3. Length, hopper          | 1520 mm |

### STANDARD EQUIPMENT

LED Work Lights, Backup Alarm & Rotating Beacon, Reversible auger and conveyor, Rebuildable wear resistance conveyor floor plates, Segmented High Wear Augers, Dyn@Link Telematics, Ultrasonic sensors auger, Wash down spray system, Dual operator console with conventional electrics

### OPTIONAL EQUIPMENT

Cut-Off plates, Truck Hitch, Umbrella

Find us locally at [www.dynapac.com](http://www.dynapac.com)

We reserve the right to change specifications without notice. Photos and illustrations do not always show standard versions of machines. The above information is a general description only, all informations are supplied without liability.