



## TECHNICAL DATA

### MASSES

Mass (incl. standard screed) 7.0 t

### DIMENSIONS

Basic width 1.2 m

Front ramp angle 14°

Working width, hydraulic extendable 2.4 m

Working width, max. 3.5 m

Working width, minimum (with reducing shoe) 0.5 m

### CAPACITY

Paving thickness (max) 200 /-150 mm

Theoretical placement capacity 300 t/h

### MATERIAL HOPPER

Capacity 2.5 m<sup>3</sup>

Dumping height, center 570 mm

Hopper width, internal 2760 mm

### TRACTION

Paving speed up to 27 m/min

Transport speed 3.3 km/h

### ENGINE

Manufacturer/Model Deutz TD2.9 L4

Emissions according to EU Stage V /EPA Tier 4f

Electrical system 2 x 12V, 72Ah

Rated power 55.4 kW @ 2200 rpm

Fuel tank capacity 85 l

### EMISSIONS STANDARDS

Sound capacity level, L<sub>WA</sub> 104 dB(A)

Sound pressure level at the operator's position (at the height of the head), L<sub>AF</sub> 86 dB(A)

### UNDERCARRIAGE

Crawler length 1400 mm

Crawler width 200 mm

### CONVEYOR

Conveyor control Automatic with limit switches

Conveyor type One splitted, reversible conveyor with center cover

Conveyor width 620 mm

### AUGER

Auger control Proportional speed control, both sides driven independently, Reversible

Auger diameter 320 mm

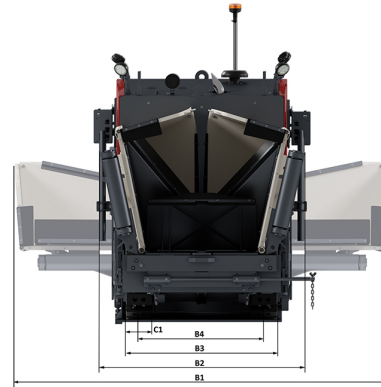
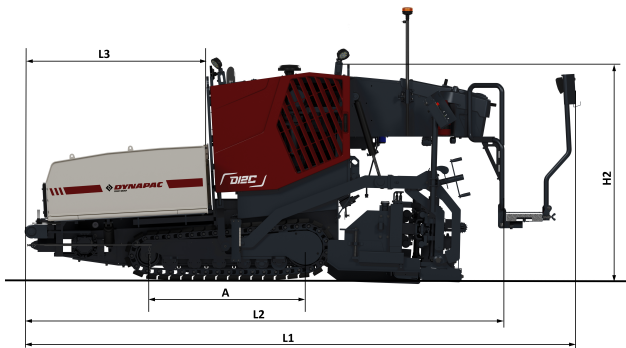
Auger height adjustment Infinitely variable by 150 mm

Find us locally at [www.dynapac.com](http://www.dynapac.com)

We reserve the right to change specifications without notice. Photos and illustrations do not always show standard versions of machines. The above information is a general description only, all informations are supplied without liability.



## DIMENSIONS



### DIMENSIONS

A. Axle track	1400 mm
B1. Width, max.	2820 mm
B2. Width, standard	1450 mm
B3. Width, center of tracks	1140 mm
B4. Width, external track	940 mm
H2. Height, transport	2020 mm
L1. Length, total	4790 mm
L2. Length, transport	4380 mm
L3. Length, hopper	1605 mm

Find us locally at [www.dynapac.com](http://www.dynapac.com)

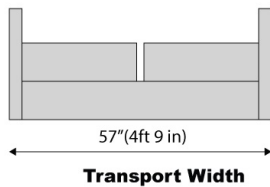
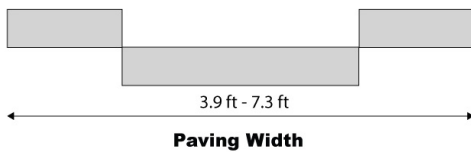
We reserve the right to change specifications without notice. Photos and illustrations do not always show standard versions of machines. The above information is a general description only, all informations are supplied without liability.



## COMPATIBLE SCREEDS

---

### VF240VE



Find us locally at [www.dynapac.com](http://www.dynapac.com)

We reserve the right to change specifications without notice. Photos and illustrations do not always show standard versions of machines. The above information is a general description only, all informations are supplied without liability.