

Dynapac FC1300C

Commercial pavers



Technical data



Masses

Mass (tractor)	3.5 t
Mass (incl. standard screed)	4.4 t



Dimensions

Basic width	2.60 m
Working width, max.	4 m
Working width, hydraulic extendable	4 m
Working width, minimum (with reducing shoe)	0.30 m
Front ramp angle	11°



Capacity

Theoretical placement capacity	200 t/h
Paving thickness (max/min)	150 mm / 0 mm



Material hopper

Capacity	5.5 t
Dumping height, center	585 mm
Hopper width, internal	2921 mm



Traction

Paving speed	2,1 km/h
Transport speed	4.8 km/h



Engine

Manufacturer/Model	Kubota
Emissions according to	EPA T4i/EU3B
Rated power, SAE J1995	28 kW (38 hp)
Electrical system	12 V
Fuel tank capacity	75 l
Engine alternator capacity	40 Amps



Undercarriage

Type	Steel Track with Poly Pads
Crawler length	1016 mm
Crawler width	305 mm
Final drive	Hydrostatic w/Gear Reducer



Auger

Auger diameter	230 mm
Auger control	Automatic with Wisker Switch
Extension auger	230mm, Mounted on Screed Ext

Find us locally at www.dynapac.com

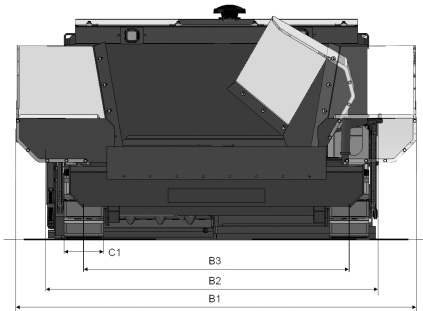
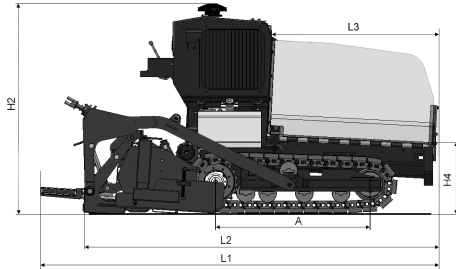
We reserve the right to change specifications without notice. Photos and illustrations do not always show standard versions of machines. The above information is a general description only, all informations are supplied without liability.

Dynapac FC1300C

Commercial pavers



Technical data



Dimensions	
A. Axle track	1016 mm
B1. Width, max.	2921 mm
B2. Width, standard	2590 mm
B3. Width, center of tracks	2030 mm
C1. Track width	305 mm
H2. Height, transport	1730 mm
H4. Dumping height	535 mm
L1. Length, total	2997 mm
L2. Length, transport	2997 mm
L3. Length, hopper	1520 mm



Standard equipment

Poly pad tracks, Backup Alarm, Rotating Beacon Wash down spray system, Dual operator station, Automatic auger feed control Screed Extension & main heat, Auto Flame-Out, Continuous-Ignition Screed Heating Extending Walkboard, Smooth Tandem Pump Steering with a Positive Neutral



Optional equipment

Slope Meter mechanical, Cut Off Plates, Umbrella



Suitable screeds

Model	Basic width	Working width, hydraulic extendable	Working width, max.	Compacting elements	Heating system
Dynapac VF0813C	2.40 m	4.00 m	4.00 m	Vibration	Propane (LPG)

Find us locally at www.dynapac.com

We reserve the right to change specifications without notice. Photos and illustrations do not always show standard versions of machines. The above information is a general description only, all informations are supplied without liability.