



- Intuitive PaveManager 2.0 User Interface
- Integrated advanced leveling solutions
- Compact design
- High efficiency drive train
- High maneuverability with 4x6 drive train

TECHNICAL DATA

MASSES

Mass (incl. standard screed) 10.3 t

DIMENSIONS

Basic width 1.80 m

Working width, hydraulic extendable 3.50 m

Working width, maximum (incl. extension boxes) 4.70 m

Working width, minimum (with reducing shoe) 0.70 m

Front ramp angle 15°

Rear ramp angle 13°

CAPACITY

Placement thickness, min/max -120 /200 mm

Theoretical placement capacity 350 t/h

MATERIAL HOPPER

Capacity 10.5 t

Hopper width, internal 3040 mm

Dumping height, center 520 mm

OPERATION

Operational controls Pave Manager 2.0

TRACTION

Maximum paving speed 25 m/min

Transport speed 15 km/h

ENGINE

Manufacturer/Model Deutz, 2,9L TD 4 Cylinder

Rated power 54 kW @ 2200 rpm

Emissions according to Stage V /Tier 3

Electrical system 24 V

ENGINE

Manufacturer/Model Deutz, 2,9L TD 4 Cylinder

Rated power 54 kW @ 2200 rpm

Emissions according to Stage V /Tier 3

Electrical system 24 V

Fuel tank capacity 73 l

UNDERCARRIAGE

Final drive Hydrostatic

Front wheels 492/260-378

Rear wheels 385/65-R22,5

Turning radius (inside) 2.51 m

Turning radius (outside) 4.31 m

CONVEYOR

Conveyor control Proportional speed control, Both sides driven independently, Reversible

Conveyor type Dual bar feeder

Conveyor width 700 mm

AUGER

Auger control Proportional speed control, Both side driven independently

Auger diameter 320 mm

Auger height adjustment 200 mm

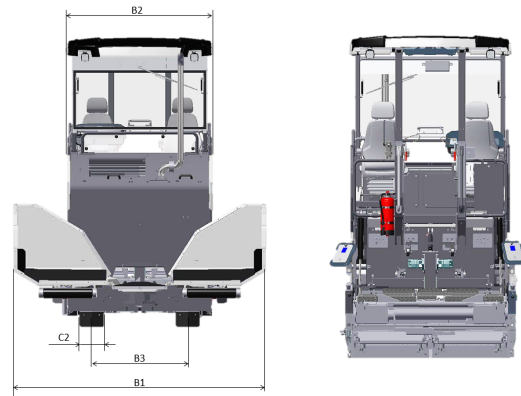
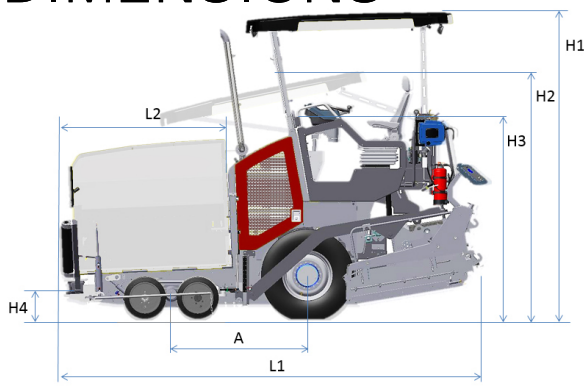
Find us locally at www.dynapac.com

We reserve the right to change specifications without notice. Photos and illustrations do not always show standard versions of machines. The above information is a general description only, all informations are supplied without liability.



- Intuitive PaveManager 2.0 User Interface
- Integrated advanced leveling solutions
- Compact design
- High efficiency drive train
- High maneuverability with 4x6 drive train

DIMENSIONS

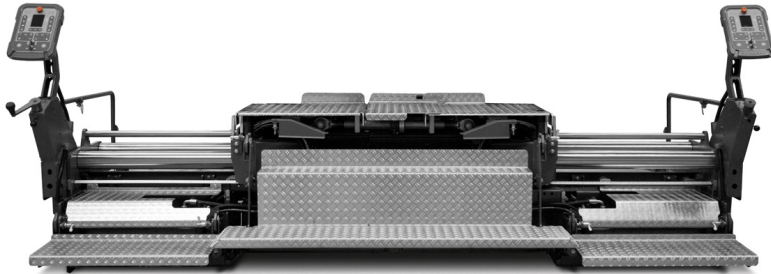


DIMENSIONS

A. Wheelbase	1.60 m
B1. Width, max.	3.15 m
B2. Width, standard	1.80 m
B3. Width, center of wheels	1.45 m
H1. Height, max.	3.60 m
H2. Height, transport	2.92 m
H3. Height	2.40 m
H4. Dumping height	0.50 m
L1. Length	4.99 m
L2. Length, hopper	1.99 m

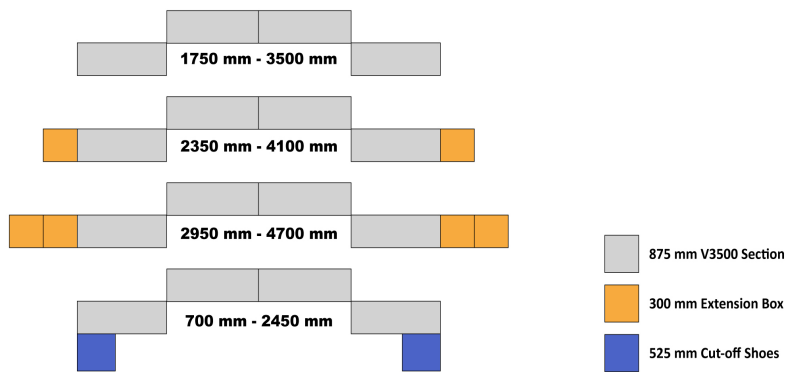
Find us locally at www.dynapac.com

We reserve the right to change specifications without notice. Photos and illustrations do not always show standard versions of machines. The above information is a general description only, all informations are supplied without liability.



COMPATIBLE SCREEDS

V3500 V / V E / TV / TV E



Find us locally at www.dynapac.com

We reserve the right to change specifications without notice. Photos and illustrations do not always show standard versions of machines. The above information is a general description only, all informations are supplied without liability.