

DYNAPAC

SD2500CS PROTAC

SPRAY PAVER PROTAC





DYNAPAC SPRAY PAVING

UNCOMPROMISING
PAVING QUALITY



Designed to Spray

Built to Last

Operator in Focus

Smart Heating Concept

Large Emulsion Tank

Dynapac SD2500CS PROTAC spray paver applies the emulsion and an asphalt layer in a single operation. PROTAC is primarily designed for two application areas. The first is for the application of thin asphalt surface layers on top of a sprayed emulsion layer for sealing. The second is for road repair, as well as for new road construction and everyday paving tasks.

This new development was boosted by the fact that Dynapac already owns a lot of know-how and expertise in spray-paving applications from the past.

PROTAC offers a variety of new functions for even more precise results.

PRECISION THAT YOU CAN SEE

FOR A LONG LIFETIME “GLUED” ASPHALT LAYERS

SAFE WORKSPACE REGARD- LESS OF WEATHER CONDI- TIONS

Excellent and comfortable all-round visibility and insight into the hopper due to the higher seating position and the movable platform, this ensures safe working. In addition, the operator has direct eye contact with screed and truck drivers.

SMART HEATING CONCEPT

The emulsion is heated in a gentle and efficient way with heating mats and heating rod. We can ensure right heating power for all filling levels, from 100L up to 2100L at all times.

MATERIAL RECEIVING MADE EASY

Unmatched capacity for reduced segregation and improved paving quality combined with clear visual indication for the truck driver with TruckAssist.

REDUCE IMPACT FROM TRUCKS

Hydraulic anti-shock push rollers avoid the typical marks on the surface due to truck docking. The system also extends the docking length and gives you flexibility when working with different truck models.



PERFECT GRIP & WELL BALANCED MACHINE

This paver is well balanced with a low center of gravity and stable, long Alpha tracks. Our track pads are especially designed for paving applications and have higher rubber thickness for longer life and lower cost.

OPTIMIZED MATERIAL FLOW

The auger drive system is a centrally driven system with a slim gearbox (15cm) and small outer bearings that allow homogeneity of mixture, despite the high material throughput of up to 650 tons per hour.

04

Dynapac
PROTAC SPRAY PAVER



WANT TO FIND OUT MORE?

Go to Dynapac Product Information: Scan the QR code to enter the SD2500CS PROTAC product site.



CUSTOMIZED LIGHT CONCEPT

Dynapac offers lighting systems for night work: LightAssist, LED lights, LED lighting balloons, auger & engine compartment lights as well as side and screed lights for wider working widths.

SAVE FUEL WITH VARIO SPEED

Load sensing hydraulic system to reduce fuel consumption. VarioSpeed is a Dynapac patented drive concept that recognizes the required rpm for the specific working situation.

LARGE TANK FOR FLEXIBLE OPERATION

A frame integrated 2100L emulsion tank that is heated and isolated maximizes the performance. It has 2 filling points for flexible refilling. On-board pump and a convenient hand lance connection are available.

VISIBLE QUALITY

3 spray bars for a homogeneous spray pattern ensure the highest quality of the tack coat. The symmetrical arrangement ensures proper distribution and application. Electronically controlled nozzles minimize mist and ensure a uniform spray pattern.

EFFICIENT PERFECTION

PROTAC gives you the opportunity to spray from 0,2kg/m² to 1,6kg/m² emulsion on an application up to 6,5m. The ability to precise the spray rate saves large amounts of emulsion.

STABLE SCREED -SMOOTH FINISH

Dynapac screeds are extremely stable due to our well-proven four-guiding tube principle. The PROTAC paver profits from our reliable Vario Screeds. The deep bootom plats ensures the smooth finish even at thin layers.

ERGONOMIC OPERATION WITH 7" TOUCH SCREEN

Our intelligent spray control system with large touch screen is located at your operating dashboard. Monitoring and control is intuitive an easy to learn.



JOB SITE CONFIDENCE

Keep your team confident and healthy when operating on the job site. Ensure good working safety, ergonomics and easy to use operating systems.

MACHINE USABILITY

STAY SAFE WITH GREAT OVERVIEW

The spacious and slidable platform ensures excellent all around overview for highest comfort, safety and precision. Depending on the jobsite requirement, the operator can control the pavers from left or right seat. The touch display for the spraying can be reposition to both sides.

FULL VISIBILITY ALSO AT NIGHT JOBS

Dynapac LightAssist and the powermoon option lighten up your night job.

CHOOSE THE PERFECT SIDE SHIELD

The use cases for our machines are as variable as you can think. That's why we have a wide variety of side shields to perfectly fit your needs on the job site.

INTUITIVE SPRAYING ADJUSTMENT

The 7" touch display can be controlled via hard buttons or directly on the touch display. If more than 1 nozzle needs to be open or closed, you can do this with the wipe function. This is convenient and give the operator the possibility to react fast.

ERGONOMICS

ERGONOMICS FOR HIGH PRECISION

The ergonomic driver position with dashboard with paving and spraying display within comfortable view and reach ensures, that operators enjoy a maximum level of support so that they remain focused and productive.

MINIMIZED VIBRATIONS

Designed to avoid the transfer of vibrations to the operator.

EASIEST SET UP

Start and end your day without any stress. Get your roof lifted electric, fold your side shields into place without needing a wheel loader and light up the job site with home-coming lights.

FAST REACTION TIME

The screed remotes can be turned for ergonomic operation. And whenever it is needed, the screed operator can re-adjust the spray bar: By working width adjustment or by over-writing and move the spray bar separately.

HEALTH & SAFETY

DO NOT COMPROMISE ON SAFETY

The operator has an excellent all-around view for even more crew safety and comfort on the jobsite

KEEP THE FUMES AWAY

Cleaner working environment ensured with a high-capacity fume suction device. 96% fumes cleared as per NIOSH test.

WEATHER PROTECTION ALL AROUND

Stay protected from wind, rain & sun with the cabin options.

ENJOY THE NOISE INSULATION

Due to the integrated spray tank and the implementation of compressor as well as fume suction in the machine frame the noise level could be reduced significantly. This allows the operators to concentrate themselves on the demanding job.









HIGH PRODUCTIVITY

Increase the productivity of your job sites through efficient paving and compaction operation. Reduce non-productive times on the job site.

PLANNING, DOCUMENTATION & CALCULATION PROCESS

KEEP THE OVERVIEW

Track your jobsite live with our systems Dyn@Link & MatManager or check on your status with the integrated Material Calculator.

STAY CONNECTED

Use the system you need with the integrated and wireless open CAN interface to 3rd party solutions.

DOCUMENTATION AS A PART OF YOUR JOB

Integrated jobsite documentation with the MatWiser or systems like Pave IR or PaveTM.

IDLE & WAITING TIME

SMART HEATING MANAGEMENT

With the smart software and the powerful generator of 35kVA the emulsion and screed are heated up in the fastest and most efficient way, without compromising on quality.

HEAT UP LEFT OVER

Do not waste your time by draining left over emulsion. The heating mats can heat low quantities from 100l. And from 700l the 12kW heating rod kicks in.

MAXIMUM ENGINE AND HEATING POWER

With the powerful 142/149kW engine in combination with a strong generator shortens the heating and idling time in the morning

APPLICATION THROUGHPUT & OUTPUT

SPRAY UP TO 6.5M WIDE ROADS – STEPLESS

Enjoy the flexibility of stepless spraying width up to 6.5m. And using the PROTAC as a standard paver the working width can go up to 9.7m. Without screed support rods.

LARGE AREA PERFORMANCE

Reopen the construction site fast. The PROTAC offers a large area performance to spray and pave also with high working speed.

GET TWO TASKS DONE AT ONCE

The Dynapac PROTAC sprays and paves at once. And for conventional paving jobs it is possible to reduce the spray quantity to 200g/m². This makes refilling even during long working shifts unnecessary.





MAXIMUM UPTIME

A machine has to run to make money! Minimize non-productive times, avoid unscheduled break-downs.

MACHINE RELIABILITY

THE ENGINE YOU CAN RELY ON

Around the world the high power and highly durable Cummins Engines have driven our pavers for around 5.1 million hours.

TESTING ROUTINES

Noise emission or safety related functions are tested on every machine according to ISO3744:2010, ISO 2867 and EN500.

CONTINUOUS VERIFICATION

100% quality control for every machine before shipment.

SELF DIAGNOSE AND PREDICTIVE MAINTENANCE

Be always aware of the machine's status with Dyn@link and get early hints from Pave Manager 2.

COMPANY STANDARDS

To deliver the same high quality and reliability throughout all Dynapac production sites we have created tough and frequently audited internal guidelines.

MAINTENANCE & REPAIRS

SERVICE AT ITS BEST

Be prepared and have easy access to all critical machine areas with the Dynapac Service and maintenance concepts.

INVESTMENTS STAY LONGER

Extend your warranty or have an overall service agreement for your Dynapac machines.

SPARE PARTS AVAILABLE WHEN YOU NEED THEM

Fast delivery times and 24/7 availability for Dynapac spare and wearing parts until 10 years after machine shipment.

SCHEDULE THE MAINTENANCE

Easy and full overview of the machine status, service intervals & failure notifications with Dyn@Link.

SET-UP, DISMANTLING & CLEANING TIME

TRANSPORT MADE EASY

Due to the well-balanced design and the 2.55m width the Dynapac PROTAC can be loaded easily on trailer, even with left over emulsion. Use your time efficiently.

MAXIMIZE YOUR UTILIZATION

The Dynapac PROTAC is the ideal choice for thin layer application spraying bitumen up to 1.6kg/m² and a thin layer of asphalt at once. To extend the usage of this paver the spraying quantity can be reduced to 0.2kg/m² to spray a thin and even emulsion layers underneath a conventional asphalt layer. And of course the complete spraying system can be switch off.

EXTEND YOUR PAVING SEASON

The combination of PROTAC with the Dynapac high compaction screed allows to pre-compact also thin layers to a higher level. This can extend your paving season, since the final compaction can be reached with less roller passes.









HIGH QUALITY RESULTS

Avoid penalties and rework! Stabilize the quality of your paving and compaction jobs.

UNIFORM MAT

QUALITY YOU CAN SEE

Due to the smart heating concept with mats and heating rod the emulsion is heated up in a gentle and efficient way for the highest quality. From 100l up to 2100l.

UNIFORM PATTERN

25 nozzles on 3 symmetric spray bars arranged in a symmetric layout ensures a uniform spray pattern. The start and end function ensures, that the sprayed surface starts in one line.

A SPRAY BAR, WHICH ADAPTS TO YOUR NEEDS

The spray bars automatically follow the screed movement, thus ensuring optimum uniformity and control. The 25 independent nozzles are automatically activated by moving the spray bar or extending the screed- If necessary, the screed operator can retract or extend the spray bars regardless of the screed position and, the spray bar can be preset to a larger or smaller working width.

QUALITY DOCUMENTATION

MONITOR YOUR RESULTS

Quality tracking for seamless documentation with the MatScanner, Pave IR, Pave TM.

ONLINE ACCESS

Easy and intuitive automatic documentation with Dyn@link.

CHOOSE YOUR FAVORITE

The compatibility with 3rd party systems is given. Simply add the job site optimizations system you prefer like the MatWiser with direct access to your pavers data.

EVENNESS

STIFFEST SCREED IN THE MARKET

Avoid bending or torsion which will have a direct impact to the paved surface with Vario Screeds and the 4-Tube guiding system. Due to the design of the screed even on thin layers the surface stays smooth and even.

THE screed is designed to deliver excellent surface quality on every layer. Since you can use the THE screed also on thin layers, you get an excellent pre compaction rate. For fully compacted layers also during cooler ambient temperatures.

CONSISTENT SCREED TEMPERATURE

A constant heat distribution throughout the complete working width for tamper, bottom plates and high-compaction-bars with the Dynapac heating systems.

THE VARIETY OF LEVELING SYSTEMS

Perfect results by using advanced Leveling solutions like the MOBA Sonic Sensors, the rotary sensor, big ski systems or 3rd party 3D levelling systems.





LOW COST OF OWNERSHIP

Improve the overall profitability of your investment by reducing the costs of operating the machine while maintaining a high equipment value.

MAINTENANCE COST

FAST ACCESS

Everything is reachable fast and easy with the Dynapac Service concept.

PERFECT TIMING

Plan your maintenance when the machine has free slots with Dyn@link.

WEARING RESISTANT

One-time service with synchronized wearing behaviors for all wear parts.

TRANSPORT COST

COST EFFICIENT TRANSPORT

The Dynapac sticks within the 2.55m transport width and can be shipped without special permission. And since it can be loaded with left over emulsion, you can directly shipped it, without wasting time to drain the emulsion only for safe loading.

PERSONNEL COST

ONE PERSON TO SET-UP

Reach the transport position fast and without effort with the foldable side shields.

SUPPORT LESS TRAINED EMPLOYEES

Easy to use machine steering with Pave Manager 2.0 and advanced easy to use integrated leveling solutions.

AUTOMATE THE PROCESS

Reduce the persons needed to operate the machine with automation systems like the MatTracker or the Steering Assistant.

DESIGNED TO STAY CLEAN

Avoid additional manual interaction or material in areas where it disturbs the paving process with the hydraulic front flaps or simply make sure to have a failure free material receiving process with TruckAssist.

RUNNING COST

ENGINE AUTOMATION

Have always the lowest possible engine RPM in place without noticing it to save fuel with VarioSpeed.

EFFICIENT INTEGRATED CLEANING

Enjoy easy and fail-safe cleaning at the end of a work shift. With multiple cleaning modes the system can be cleaned the way it is needed and allowed. And when it is forgotten, the system automatically cleans itself before the engine in shut-off.

ALWAYS THE RIGHT AMOUNT EMULSION

Do not waste emulsion and money by spraying more than needed. With the smart set up of the PROTAC also 200g/m² can be sprayed with a uniform and even spray pattern.









ENVIRONMENT & SUSTAINABILITY

Protect the environment. Show your social responsibility and collect on tenders that require low CO2 and noise emissions.

SUSTAINABLE ROAD PAVING

GET TWO TASKS DONE AT ONCE

The Dynapac PROTAC is an allrounder and can be used for thin layer paving and conventional paving. The Dynapac PROTAC sprays and paves at once. And for conventional paving jobs it is possible to reduce to minimum spray quantity of 200g/m². So do not spray more than needed for a long lasting interlocking

SAVE ON EQUIPMENT AND TIME

Use the Dynapac spray paver for conventional paving jobs. The bitumen is directly sprayed in front of the asphalt mat for great interlocking and long-lasting roads. And additional equipment for spraying is not needed

PROLONG THE USAGE OF EXISTING ROADS

The SD2500CS PROTAC sprays emulsion and applies asphalt in a single operation. This increases operational efficiency while saving resources. What's more, the road can also be opened faster traffic and the numerous measurements have confirmed that thin layer surfaces have a noise reduction potential of about 5 dB(A).

NOISE EMISSION

Lowest engine power needed

The engine regulates itself to use as less fuel as needed but providing all the power you need for paving based on the VarioSpeed concept. That also means always the lowest noise level possible from the engine.

TIGHT INTERNAL GUIDELINES

We have set our self the goal for all our machines to perform within a noise level range below 104 dB(A).

QUIET COMPACTION

No difference between the TV- or the TH-Screed in noise emission due to no frictional contact during paving.

CARBON FOOTPRINT

OPTIMIZE YOUR OUTPUT

Stay in control of what you pave and just use the amount of material that's needed with the integrated screed width measuring system, the material calculator and job site management systems like the MatManager.

BUILD OUT OF RECYCLABLES

The material Dynapac machines are build with are to 95% recyclable to reduce the carbon footprint in production.

ENVIRONMENT FRIENDLY

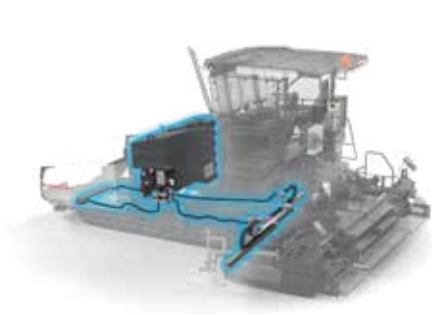
Reduce your carbon footprint with efficient systems like VarioSpeed or the TH-Screed series which are both driven by engines which are using the latest after treatment technology Stage V.



SPRAYING ESSENTIALS

Your satisfaction is key. We offer various options and best-in-class features. We are your partner on the road ahead.

INTUITIVE OPERATION



The spray unit is easily activated and controlled via a robust and user-friendly 7" touch display directly on the control panel. This allows the operator to effortlessly monitor and adjust the spray system.

- All spraying parameters are next to the dashboard in the view of the driver
- Every spray nozzle can be closed and open with a fingertip. And with the handy swipe function multiple nozzles can be controlled.
- Due to the intuitive menu structure main settings like quantity, pressure or temperature can be set up and controlled easily.
- And since the software is an inhouse development the spray display has the same touch and feel like the main dashboard with display.

And on the two ground displays on each side of the paver the filling degree can be monitored conveniently.

OPTIMAL OPERATOR COMFORT

The paver platform offers operators an excellent all-around view for even more crew safety and comfort on the construction site. Adjust your workplace the way you want with the Dynapac HMI and the slidable platform. Enjoy working in an open cabin, or one that is closed on the front and sides with our weather house feature.

EFFICIENT AND SILENT DRIVE SYSTEM



A combination of dynamic controlled pumps and optimized hydraulic routing ensures that the energy for the drive train is kept at a minimum.

- Dynapac designed pump gearbox
- Monitored crawler drive pumps to ensure best traction possible
- Easy to reach DEF-tank (Stage V machines)
- Performance 4-cell intercooler
- The compressor is directly mounted to engine for a silent and efficient operation.

COMPRESSED AIR HOW IT IS NEEDED

Integrated compressed air system with 2 tanks (dry and wet) for fast and efficient cleaning of the spray system.

- 2 tanks for compressed air (wet and dry)
- Extra tank for cleaning fluid on the spray paver integrated
- Possibility to select different cleaning cycles (with nozzle or with cleaning fluid etc.)
- Auto clean function when the engine is switched off

UNDERCARRIAGE



Highest traction even at largest widths.

- Robust rubber trackpads
- High torque independent hydraulic motors per side
- Grease based tensioning system to adjust according to your needs
- Optional manual or electric controlled rock deflector with integrated gravel float stop function

SIDE SHIELD CONTROLS



Clear feedback with integrated controls! Be fast and be aware of the machine's status with directly visible switches including clear feedback. Safe time & automate your screed movement on the fly by activating the MatTracker directly from the screed operator's position. Optimize the resources needed and turn on and off the side shield heating with a dedicated switch and receive directly the heating's status.

EMULSION TANK & SPRAY BAR



INSULATED EMULSION TANK

In frame integrated emulsion tank can hold up to 2100 liters of emulsion and is equipped with a filling point and display on each side. For easy and safe refilling.

- Fast heat up time due to smart and powerful heating system
- Powerful and simple cleaning with compressed dry air
- 2 filling ports and onboard pump for easy and safer refilling

SMART AND POWERFUL HEATING

18kW electric heating system for fast and gentle emulsion reheating and maintaining of temperature.

- 3 stage depending on the filling degree
- Heating of 100l up to 2100l emulsion is possible
- Heating mats for gentle heating without cracking
- Heating rod encased for easy cleaning

The smart heating system detects and calculates the power need of screed and spray system and heat up both systems efficiently.

SYMMETRIC SPRAY BAR CONCEPT

3 spraying bars with 25 nozzles ensures a homogeneous spray pattern. The symmetric layout guarantees even distribution, heating and flow of the emulsion for high quality results:

- 1 fixed spray bar below the push roller easily visible
- 2 slidable spray bars directly in front of the auger

The special shaped and electronically controlled nozzles reduces the mist to a minimum without compromising on the uniform spray pattern.

DIGITAL ASSISTANTS



PAVEMANAGER 2.0

In the dashboard, you have full control about your machine and your paving process with direct access to the most important functions. The operating system (OS) is the digital heartbeat of the machine – Pave Manager 2 OS. Advanced access to digital machine functions and camera system.

The remote control gives you direct access from each side shield to the main machine settings and the integrated leveling system.

SET ASSIST

Fast relocation can be challenging. Even if several settings need to be matched to deliver the same mat experience as before. SetAssist helps you to get into transport mode by just a push of a button. To restore your settings just press and hold the restore button and the machines moves back to its previous set up.

SCREED WIDTH ASSIST

Monitor your actual screed width in real time with using the integrated screed width sensors and combine the data with material calculator to monitor your progress and material consumption.

TRUCK ASSIST

Have a convenient communication with all truck drivers on site and bright hopper side markers for night jobs.

OPEN INTERFACE

All Dynapac aborro eum in ex et apis arum et et ommolup lorem ipsum hier fehlt Text.



MATMANAGER

A proper material chain and as less stops as possible are crucial to create a perfectly paved surface. The documentation of your full material feeding process can help you in optimizing your machine usage and logistics – the MatManager is the tool to do that.

MATTRACKER

Automate the screed extension and retraction based on trackable edges at your job sites.

MATWISER

A web-based reporting system providing users with a perfect overview of their projects. The data can either be used internally or in documentation for the customer. All data can either be printed out as a report or shared via the MatWiser™ on-line portal.

3D LEVELLING

Create precise profiles based on external references with using a 3rd party 3D-Leveling system. Simply connect your 3rd party leveling controller to the MOBA system and it will appear automatically. Select the 3D sensor setup or mix the integrated leveling with and external reference – everything is possible.

INTEGRATED LEVELLING

All Dynapac Highway Pavers come with an integrated leveling system made by MOBA. Precise leveling is crucial to create high quality paved surfaces – our leveling portfolio offer you all tools needed.

Compaction & Heating: Two key factors to obtain a perfect result. Choose from two screed series.

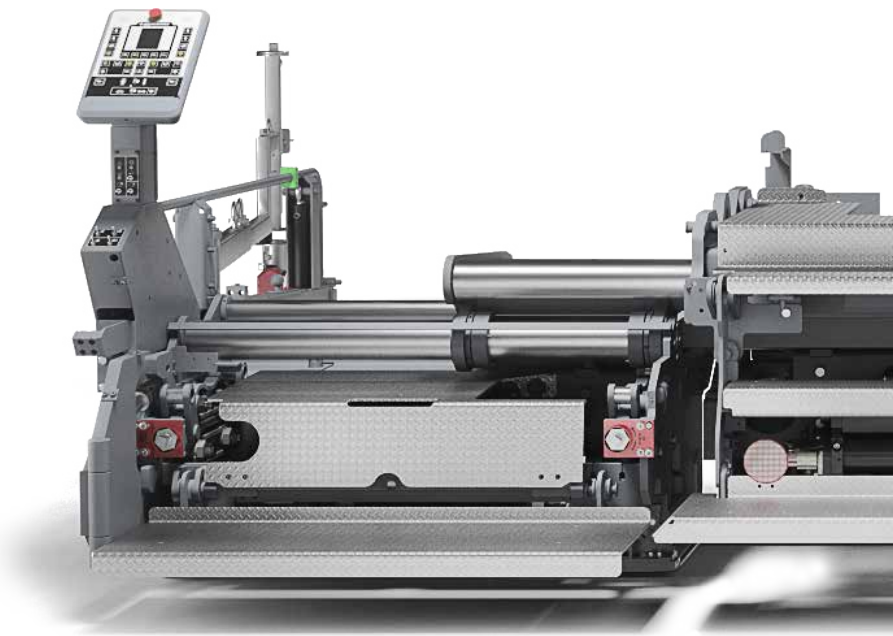
V-SERIES

VARIO SCREEDS - POWERFUL PARTNER ON YOUR JOB SITE

- Hydraulic extendable
- Working width range from 2.55m –9.70m
- Gas-and electrical heating systems
- Variety of compaction systems
- Advanced assistant systems
- Variety of side shield options

Equal quality ensured throughout the width due to industry leading stable design. The continuous high compaction is based on advanced high compaction technologies. No material segregation occurs due to guided material flow. Fast setup and dismantling

times. Low profile to create perfect overview. Integrated advanced assistant systems to reduce operator workload and increases safety processes: Stick to the maximum noise level of 104 dB(A).



SD-SERIES PROTAC COMPATIBLE SCREEDS

V-SERIES - HIGH COMPACTION

HIGH COMPACTION SCREEDS

The Dynapac TH E Screed range is designed to deliver excellent surface quality on every layer. You no longer need to care about the material you use or the environmental conditions on your jobsite.

The HCU-Design (High Compaction Unit Design) allows easy adjustments via the remote controls while every HCU unit works completely independent.

This ensures maximum productivity, flexibility and outstanding reliability.

THE stands for Tamper High compaction Electrical heated. All TH E screeds come with a special high compaction system in each screed section that combines static hydraulic pressure with a high amount of kinetic vibration energy and high frequencies to also reach the lowest areas of the paved mat without increasing the machine's energy consumption by boosting the efficiency.



REMOTE CONTROL

Simple and easy to use for direct access to sensor selection, options, tamper / vibration / high-compaction settings and additional functions like rock deflector activation, auger lifting, screed lifting and material calculator.

And the screed operator can control the spray bar independently from the screed whenever this is necessary.



COST CONTROL THAT SAVES BIG

Being active in the Road Construction business requires considerable investment. Every square meter involves an operational cost composed of fixed costs such as interest on equipment acquired, labor costs, insurance and equipment depreciation, but also variable costs such as expenses for fuel, wear and maintenance.

SERVICE COMMITTED TO YOUR FUTURE

GENUINE PARTS AND KITS

- Preventive maintenance kits
- Genuine Filters
- Fluids and lubricants
- Wear and repair kits
- Upgrade Kits

SERVICE

- Right competence
- Training program
- Inspection & service program
- Extended Warranty & Service Agreement

CONSUMABLES

- Road Milling Tools (bits)

PREVENT THE COST OF A BREAKDOWN

REGULAR MAINTENANCE PREVENTS COSTLY STANDSTILLS.

Equipment breakdowns have a direct impact on your productivity. No production means no revenue, but the fixed costs stay the same, resulting in lower profitability. By avoiding breakdowns and increasing the reliability of your machine, you will be able to produce more per year, which will immediately improve your profitability.

PREVENTIVE MAINTENANCE KITS

REGULAR MAINTENANCE PREVENTS COSTLY STANDSTILLS.

Equipment breakdowns have a direct impact on your productivity. No production means no revenue, but the fixed costs stay the same, resulting in lower profitability. By avoiding breakdowns and increasing the reliability of your machine, you will be able to produce more per year, which will immediately improve your profitability.





TECHNICAL DATA

SPRAY PAVER SD2500CS PROTAC

TECHNICAL DATA	
MASSES	
Weight (incl. standard screed)	23.20 t
DIMENSIONS	
Front ramp angle	12°
Working width, max.	9.70 m
Spraying width, max	6,5 m
CAPACITY	
Paving thickness (max/min)	-150 /310 mm
Theoretical placement capacity	800 t/h
MATERIAL HOPPER	
Capacity	6.0 m ³ / 12 t
Dumping height (center/outside)	555/560 mm
Hopper width, internal	3.29 m
TRACTION	
Max. paving speed	28 m/min
Max. transport speed	4 km/h
SPRAYING SEGMENT	
Emulsion tank capacity	2100 l, electrical heated
Number of nozzles	25
Number of spray bars	3
Spray bar	slidable spray bars, which follow the screed movement automatically
Spray rate min/max	0.2 /1.6 kg/m ²

TECHNICAL DATA	
ENGINE TIER3	
Manufacturer/Model	Cummins QSB6.7-C200
Emissions according to	EU Stage IIIA
Rated power, SAE J1995	142 kW @ 2200 rpm
Electrical system	24 V
Fuel tank capacity	337 l
ENGINE W AFTERMARKET TREATMENT	
Manufacturer/Model	Cummins QSB6.7-C200
Emissions according to	EU Stage V /US EPA T4f / China Stage IV
Rated power, SAE J1995	149 kW @ 2200 rpm
Electrical system	24 V
Fuel tank capacity	362 l
DEF tank capacity	37 l
UNDERCARRIAGE	
Crawler length	3.36 m
Drive type	Independent hydrostatic driven crawler systems
CONVEYOR	
Conveyor type	Dual conveyor, reversible
Conveyor control	Proportional with paddle sensors
Conveyor width	2 X 655 mm
AUGER	
Auger diameter	430 mm
Auger control	Automatic with ultrasonic sensors