



TECHNICAL DATA

MASSES

Operating mass (incl. ROPS)	6500 kg
Operating mass (incl. Cab)	6650 kg
Module mass (front/rear)	3400/3100 kg
Max. operating mass	7050 kg

COMPACTION

Static linear load	20 kg/cm
Nominal amplitude (high/low)	1.6/0.8 mm
Vibration frequency (high/low amplitude)	32/32 Hz
Centrifugal force (high/low amplitude)	114/55 kN

TRACTION

Speed range (Dual/TC/AS)	0-10 km/h
Tyre size (16 ply)	400/60-22.5 flotation
Max. theoretical gradeability	50 %
Vertical oscillation	±9°
Number of pads	132
Pad area	84 cm ²
Pad height	76 mm

ENGINE

Manufacturer/Model	Kubota V 3307 CR-TE4 (Stage IIIB/T4f)
Type	Water cooled turbo Diesel
Rated power, SAE J1995	55 kW (75 hp) @ 2200 rpm
Fuel tank capacity	117 l

ENGINE

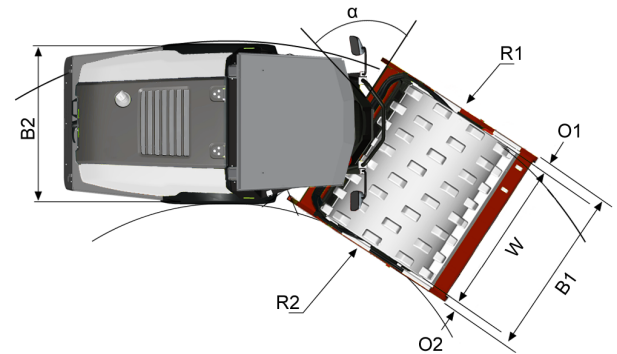
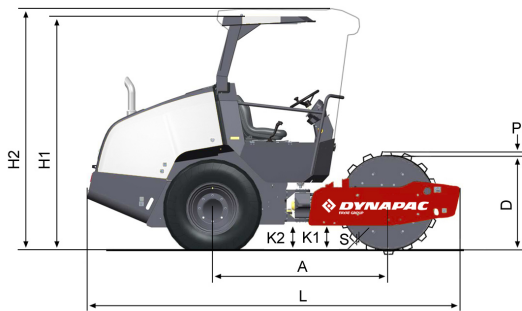
Manufacturer/Model	Kubota V 3307 CR-TE5 (Stage V)
Type	Water cooled turbo Diesel
Rated power, SAE J1995	55 kW (75 hp) @ 2200 rpm
Fuel tank capacity	117 l

HYDRAULIC SYSTEM

Driving	Hydrostatic with a traction pump supplying two parallel connected motors, one on rear axle and one on drum.
Vibration	Hydrostatic with a vibration pump supplying a motor connected to the eccentric axle generating the vibrations.
Steering	Mechanical-hydraulic with steering valve supplying the steering cylinder. Steering angle is proportional to steering wheel.
Service brake	Hydrostatic in forward and reverse lever.
Parking/Emergency brake	Failsafe multidisc brake in rear axle and front drum motor.

Find us locally at www.dynapac.com

We reserve the right to change specifications without notice. Photos and illustrations do not always show standard versions of machines. The above information is a general description only, all information's are supplied without liability.



DIMENSIONS

DIMENSIONS

A. Wheelbase	2200 mm
B1. Width, front	1870 mm
B2. Width, rear	1530 mm
D. Drum diameter	1209 mm
H1. Height, with ROPS/cab	2710 mm
H2. Height, max.	2710 mm
K1. Ground clearance	360 mm
K2. Curb clearance	360 mm
L. Length	4510 mm
O1. Overhang, right	95 mm
O2. Overhang, left	95 mm
P. Pad height	76 mm
R1. Turning radius, outside	4580 mm
R2. Turning radius, inside	2900 mm
S. Drum shell thickness	17 mm
W. Drum width	1676 mm
α. Steering angle	±33°

OPTIONAL EQUIPMENT

Air Conditioning /Automatic Climate Control (ACC) (Optional)

- The system contains fluorinated greenhouse gases.
- Coolant designation: HFC-134a
- Coolant weight when full: 0,62 kg
- CO₂-equivalent: 0,887 ton
- GWP: 1430

Find us locally at www.dynapac.com

We reserve the right to change specifications without notice. Photos and illustrations do not always show standard versions of machines. The above information is a general description only, all information's are supplied without liability.