



TECHNICAL DATA

MASSES

Operating mass (incl. Canopy)	11200 kg
Module mass (front/rear)	6600 kg/4600 kg

DIMENSIONS

Drum width	2130 mm
------------	---------

COMPACTION

Static linear load	31 kg/cm
Nominal amplitude (high/low)	1.8 mm/0.9 mm
Vibration frequency (high/low amplitude)	33 Hz/33 Hz
Centrifugal force (high/low amplitude)	250 kN/130 kN

TRACTION

Speed range	0-5.5 km/h (working) 0-11 km/h (travel)
Max. theoretical gradeability	34 %
Vertical oscillation	±9°

ENGINE

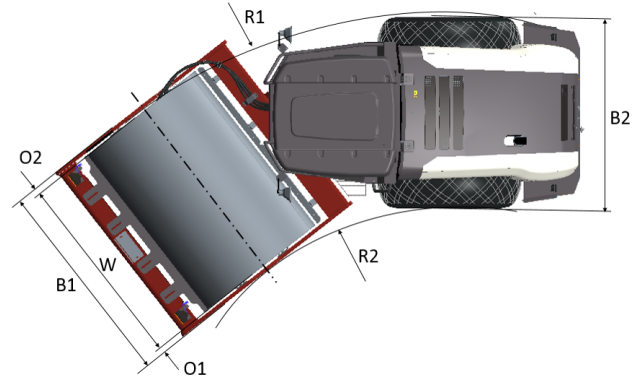
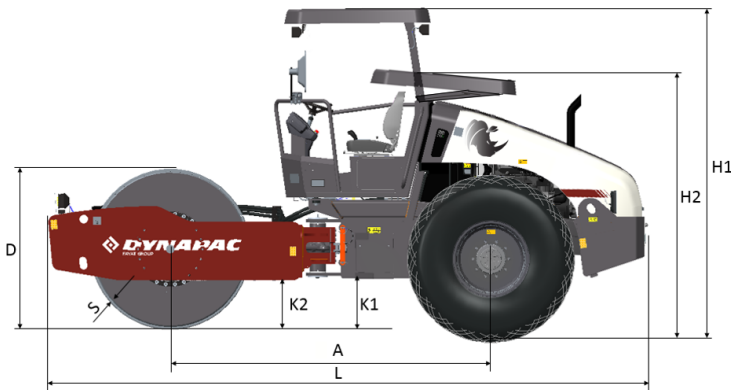
Manufacturer/Model	KOEL
Type	Water cooled diesel engine
Rated power (rating standard)	BS-III
Rated power, SAE J1995	105 hp @ 2200 rpm
Fuel tank capacity	280 l

HYDRAULIC SYSTEM

Driving	Hydrostatic
Vibration	Hydrostatic
Steering	Hydrostatic
Service brake	Hydrostatic in forward and reverse lever.
Parking/ Emergency brake	Failsafe multidisc brake in rear axle and front drum motor.

Find us locally at www.dynapac.com

We reserve the right to change specifications without notice. Photos and illustrations do not always show standard versions of machines. The above information is a general description only, all information's are supplied without liability.



TECHNICAL DATA

DIMENSIONS

A. Wheelbase	2990 mm
B1. Width, front	2260 mm
B2. Width, rear	2130 mm
D. Drum diameter	1500 mm
H1. Height, with canopy	2977 mm
H2. Height, with folded canopy	2400 mm
K1. Ground clearance	520 mm
K2. Curb clearance	460 mm
L. Length	5600 mm
O1. Overhang, right	65 mm
O2. Overhang, left	65 mm
R1. Turning radius, outside	5515 mm
R2. Turning radius, inside	3385 mm
S. Drum shell thickness	25 mm
W. Drum width	2130 mm
α. Steering angle	±38°

STANDARD EQUIPMENT

- Adjustable seat
- Back up alarm
- Dual amplitudes
- Dual speed rear axle
- Driving lights
- Working lights
- Emergency stop
- Hour meter
- Lockable instrument panel cover
- Rear view mirrors
- Safety belt
- Two post Canopy
- USB mobile charger
- Power socket 12V
- Mobile holder
- Water bottle holder
- Horn
- Front Scraper (top)
- Rear Scraper(Bottom)

OPTIONAL EQUIPMENT

- Compaction meter
- Dyn@Link Basic
- Rotating beacon

Find us locally at www.dynapac.com

We reserve the right to change specifications without notice. Photos and illustrations do not always show standard versions of machines. The above information is a general description only, all information's are supplied without liability.