

TECHNICAL DATA

MASSES

Operating mass (incl. ROPS)	12000 kg
Operating mass (incl. Cab)	12200 kg
Module mass (front/rear)	7700/4500 kg
Max. operating mass	13900 kg

DIMENSIONS

Drum width	2130 mm
------------	---------

COMPACTION

Static linear load	36 kg/cm
Nominal amplitude (high/low)	1.9 mm/0.9 mm
Centrifugal force (high/low amplitude)	280 kN/170 kN
Vibration frequency (high/low amplitude) SEISMIC available (values for manual mode)	31 Hz /34 Hz

TRACTION

Vertical oscillation	±9°
Tyre size (8 ply)	23.1 x 26 AW
Speed range	0-12 km/h
Theor. gradeability, forward	55 %
Theor. gradeability, reverse	55 %

ENGINE

Manufacturer/Model	Cummins QSF3.8 (IV/T4final)
Type	Water cooled turbo Diesel
Rated power, SAE J1995	97 kW (130 hp) @ 2200 rpm
Fuel tank capacity	255 l
DEF tank capacity	20 l

ENGINE

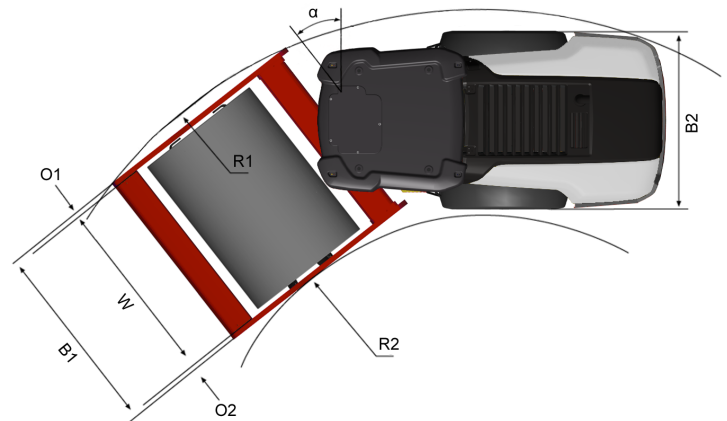
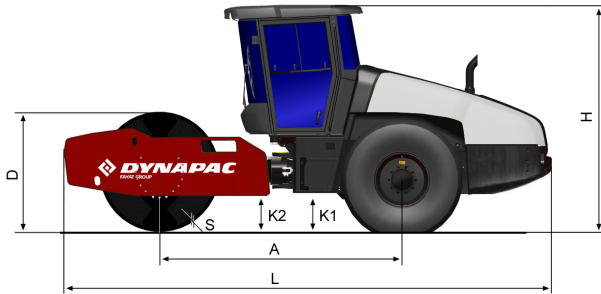
Manufacturer/Model	Cummins F3.8 (V)
Type	Water cooled turbo Diesel
Rated power, SAE J1995	100 kW (135 hp) @ 2,200 rpm

HYDRAULIC SYSTEM

Driving	Hydrostatic
Vibration	Hydrostatic
Steering	Hydrostatic
Service brake	Hydrostatic in forward and reverse lever.
Parking/ Emergency brake	Failsafe multidisc brake in drum gear box and in rear axle.

Find us locally at www.dynapac.com

We reserve the right to change specifications without notice. Photos and illustrations do not always show standard versions of machines. The above information is a general description only, all information's are supplied without liability.



DIMENSIONS

DIMENSIONS

A. Wheelbase	2990 mm
B1. Width, front	2304 mm
B2. Width, rear	2130 mm
D. Drum diameter	1520 mm
H1. Height, with ROPS/cab	2880 mm
H2. Height, w/o ROPS/cab	2130 mm
K1. Ground clearance	450 mm
K2. Curb clearance	450 mm
L. Length	5990 mm
O1. Overhang, right	87 mm
O2. Overhang, left	87 mm
R1. Turning radius, outside	5450 mm
R2. Turning radius, inside	3300 mm
S. Drum shell thickness	35 mm
W. Drum width	2130 mm
α. Steering angle	±38°

OPTIONAL EQUIPMENT

Air Conditioning /Automatic Climate Control (ACC) (Optional)

- The system contains fluorinated greenhouse gases.
- Coolant designation: HFC-134a
- Coolant weight when full: 1,35 kg
- CO₂-equivalent: 1,930 ton
- GWP: 1430

Find us locally at www.dynapac.com

We reserve the right to change specifications without notice. Photos and illustrations do not always show standard versions of machines. The above information is a general description only, all information's are supplied without liability.