

TECHNICAL DATA

MASSES

Operating mass (incl. ROPS)	18000 kg
Operating mass (incl. Cab)	18200 kg
Module mass (front/rear)	11650 kg/6550 kg
Max. operating mass	18500 kg

DIMENSIONS

Drum width	2130 mm
------------	---------

COMPACTION

Nominal amplitude (high/low)	2.1 mm/0.8 mm
Centrifugal force (high/low amplitude)	360 kN/150 kN
Vibration frequency (high/low amplitude) SEISMIC available (values for manual mode)	29 Hz /30 Hz

TRACTION

Vertical oscillation	±9°
Tyre size (12 ply)	23.1 x 26
Max. theoretical gradeability	52 %
Number of pads	130
Pad height	102 mm
Pad area	146 cm ²

ENGINE

Manufacturer/Model	Cummins B4.5 (Stage V /T4final)
Type	Water cooled turbo Diesel
Rated power, SAE J1995	149 kW (200 hp) @ 2200 rpm
Fuel tank capacity	255 l
DEF tank capacity	30 l

ENGINE

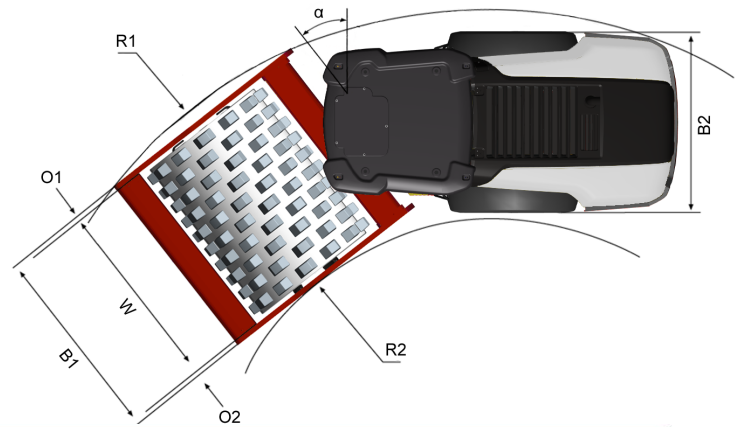
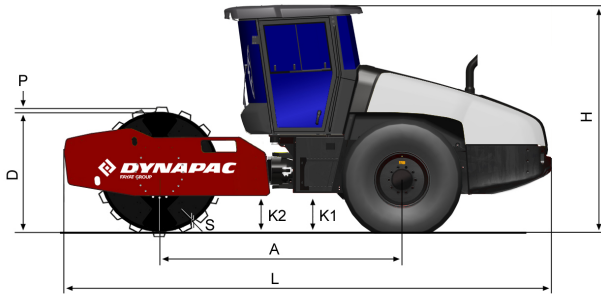
Manufacturer/Model	Deutz TCD2012L06 (IIIA/T3)
Type	Water cooled turbo Diesel
Rated power, ISO 14396	128 kW (174 hp) @2200 rpm

HYDRAULIC SYSTEM

Driving	Hydrostatic
Vibration	Hydrostatic
Steering	Hydrostatic
Service brake	Hydrostatic in forward and reverse lever.
Parking/ Emergency brake	Failsafe multidisc brake in drum gear box and in rear axle.

Find us locally at www.dynapac.com

We reserve the right to change specifications without notice. Photos and illustrations do not always show standard versions of machines. The above information is a general description only, all information's are supplied without liability.



DIMENSIONS

DIMENSIONS

A. Wheelbase	3100 mm
B1. Width, front	2340 mm
B2. Width, rear	2130 mm
D. Drum diameter	1536 mm
H1. Height, with ROPS/cab	2890 mm
H2. Height, w/o ROPS/cab	2130 mm
K1. Ground clearance	450 mm
K2. Curb clearance	450 mm
L. Length	6240 mm
O1. Overhang, right	105 mm
O2. Overhang, left	105 mm
P. Pad height	102 mm
R1. Turning radius, outside	5800 mm
R2. Turning radius, inside	3300 mm
S. Drum shell thickness	34 mm
W. Drum width	2130 mm
α. Steering angle	±38°

OPTIONAL EQUIPMENT

Air Conditioning /Automatic Climate Control (ACC) (Optional)

- The system contains fluorinated greenhouse gases.
- Coolant designation: HFC-134a
- Coolant weight when full: 1,35 kg
- CO₂-equivalent: 1,930 ton
- GWP: 1430

Find us locally at www.dynapac.com

We reserve the right to change specifications without notice. Photos and illustrations do not always show standard versions of machines. The above information is a general description only, all information's are supplied without liability.