



TECHNICAL DATA

MASSES

Operating mass (incl. ROPS)	20700 kg
Module mass (front/rear)	14050 kg/6650 kg
Max. operating mass	21000 kg

COMPACTION

Static linear load	66 kg/cm
Nominal amplitude (high/low)	1.8 mm/1.1 mm
Vibration frequency (high/low amplitude)	29 Hz/31 Hz
Centrifugal force (high/low amplitude)	317 kN/231 kN

TRACTION

Speed range (Dual/TC/AS)	0-11 km/h
Tyre size (8 ply)	23.1x26
Max. theoretical gradeability	43 %
Vertical oscillation	±9°

ENGINE

Manufacturer/Model	Cummins 6BTAA5.9-C170 (Tier 2)
Type	Water cooled turbo Diesel
Rated power, SAE J1995	127 kW (170 hp) @ 2200 rpm
Fuel tank capacity	320 l

ENGINE

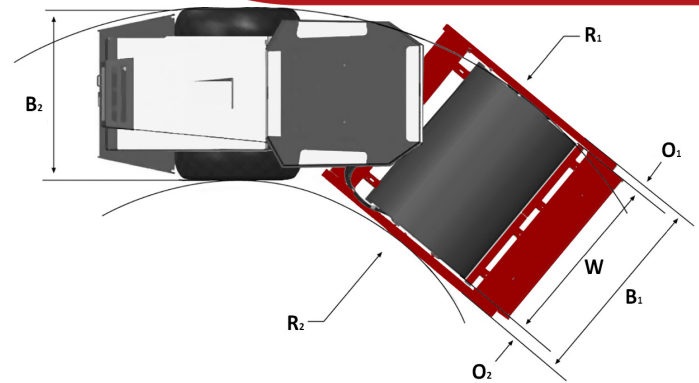
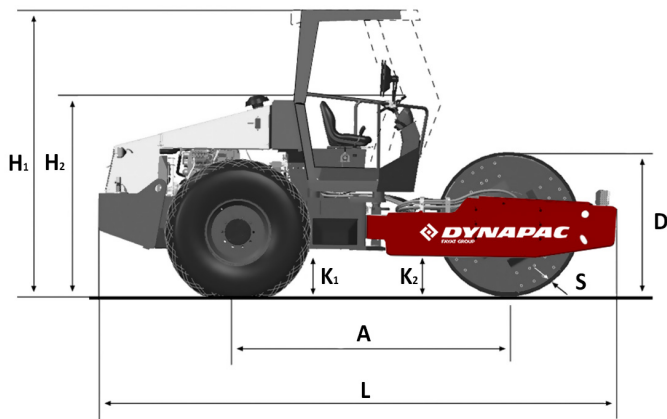
Manufacturer/Model	Cummins QSB6.7-C173 (Tier 3)
Type	Water cooled turbo Diesel
Rated power, SAE J1995	129 kW (173 hp) @ 2200 rpm

HYDRAULIC SYSTEM

Driving	Axial piston pump with variable displacement. Axial piston motors with constant displacement.
Vibration	Axial piston pump with variable displacement. Axial piston motors with constant displacement.
Steering	Gear pump with constant displacem.
Service brake	Hydrostatic in forward and reverse lever.
Parking/ Emergency brake	Failsafe multidisc brake in drum gear box and in rear axle.

Find us locally at www.dynapac.com

We reserve the right to change specifications without notice. Photos and illustrations do not always show standard versions of machines. The above information is a general description only, all information's are supplied without liability.



TECHNICAL DATA

DIMENSIONS

A. Wheelbase	2992 mm
B1. Width, front	2400 mm
B2. Width, rear	2130 mm
D. Drum diameter	1573 mm
H1. Height, with ROPS/cab	3000 mm
H2. Height, w/o ROPS/cab	2238 mm
K1. Ground clearance	450 mm
K2. Curb clearance	460 mm
L. Length	6180 mm
O1. Overhang, right	115 mm
O2. Overhang, left	135 mm
R1. Turning radius, outside	5400 mm
R2. Turning radius, inside	3200 mm
S. Drum shell thickness	50 mm
W. Drum width	2130 mm
α . Steering angle	$\pm 38^\circ$

Find us locally at www.dynapac.com

We reserve the right to change specifications without notice. Photos and illustrations do not always show standard versions of machines. The above information is a general description only, all information's are supplied without liability.