



TECHNICAL DATA

MASSES

Max. operating mass	1840 kg
Operating mass (incl. ROPS)	1775 kg
Module mass (front/rear)	865 kg/910 kg

COMPACTION

Centrifugal force	13.60 kN
Nominal amplitude	0.4 mm
Static linear load (front/rear)	8.7/9.1 kg/cm
Vibration frequency	60 Hz
Water tank	105 l

TRACTION

Speed range (Dual/TC/AS)	0 -9 km/h
Vertical oscillation	±13°

MOTOR

Electric motor drive and steering, type	Permanent magnet
Electric motor drive and steering, power	11 kW
Electric motor drive and steering, max rpm	2700 rpm
Electric vibration motor, type	Permanent magnet
Electric vibration system, power	9,4 kW
Electric vibration motor, max rpm	2550 rpm

BATTERY

Battery type	Lithium-ion
Battery voltage	48 V
Battery capacity	14,8 kWh
Charging time 20% -80%	1 phase 230 volt: 6 h
Charging time 20% -80%	3 phase 400 volt: 1,3 h

HYDRAULIC SYSTEM

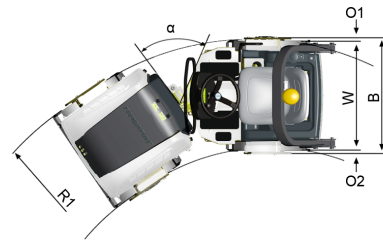
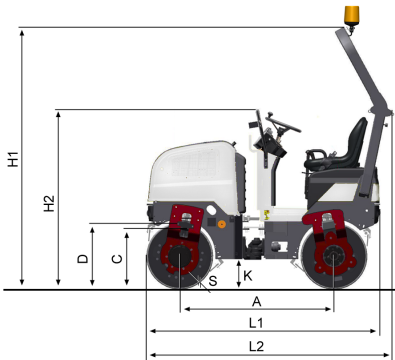
Driving	Axial piston pump with variable displacement and servo. 2 radial piston motors with constant displacement.
Vibration	Gear pump/motors with constant displacement.
Steering	Gear pump with constant displacement.
Service brake	Hydrostatic in forward and reverse lever.
Parking/ Emergency brake	Failsafe brake in both drums.

Find us locally at www.dynapac.com

We reserve the right to change specifications without notice. Photos and illustrations do not always show standard versions of machines. The above information is a general description only, all informations are supplied without liability.



DIMENSIONS



DIMENSIONS

A. Wheelbase	1350 mm
B. Width	1070 mm
C. Curb clearance	465 mm
D. Drum diameter	584 mm
H1. Height, with ROPS/cab	2300 mm
K. Ground clearance	255 mm
L1. Length	2040 mm
L2. Length (ROPS)	2095 mm
O1. Overhang, right	35 mm
O2. Overhang, left	35 mm
R1. Turning radius, outside	2860 mm
S. Drum shell thickness	13 mm
W. Drum width	1000 mm
α. Steering angle	±34°

OPTIONAL EQUIPMENT

- Battery charger 400 V, three phase. Separate unit
- Battery charger 110/230 V, one phase. Separate unit

Find us locally at www.dynapac.com

We reserve the right to change specifications without notice. Photos and illustrations do not always show standard versions of machines. The above information is a general description only, all informations are supplied without liability.