



## TECHNICAL DATA

### MASSES

|                             |                 |
|-----------------------------|-----------------|
| Max. operating mass         | 3200 kg         |
| Operating mass (incl. ROPS) | 2400 kg         |
| Module mass (front/rear)    | 1142 kg/1258 kg |

### COMPACTION

|                                 |                 |
|---------------------------------|-----------------|
| Centrifugal force               | 29/25 kN        |
| Nominal amplitude               | 0.5 mm          |
| Static linear load (front/rear) | 10.7/11.8 kg/cm |
| Vibration frequency             | 66/61 Hz        |
| Water tank volume               | 205 l           |

### TRACTION

|                               |           |
|-------------------------------|-----------|
| Speed range                   | 0-10 km/h |
| Vertical oscillation          | ±10°      |
| Max. theoretical gradeability | 46 %      |

### ENGINE

|                        |                            |
|------------------------|----------------------------|
| Manufacturer/Model     | Kubota D1703-M (IIIA)      |
| Type                   | Water cooled diesel engine |
| Rated power, SAE J1995 | 26 kW (35 hp) @ 2800 rpm   |
| Fuel tank capacity     | 45 l                       |

### ENGINE

|                        |                            |
|------------------------|----------------------------|
| Manufacturer/Model     | Kubota D1703-DI (T4/V)     |
| Type                   | Water cooled diesel engine |
| Rated power, SAE J1995 | 18.5 kW (25 hp) @ 2200 rpm |

### ENGINE

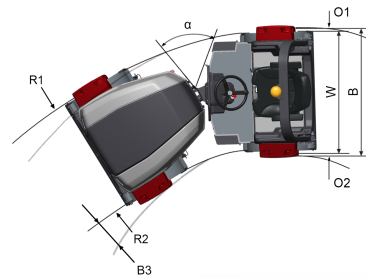
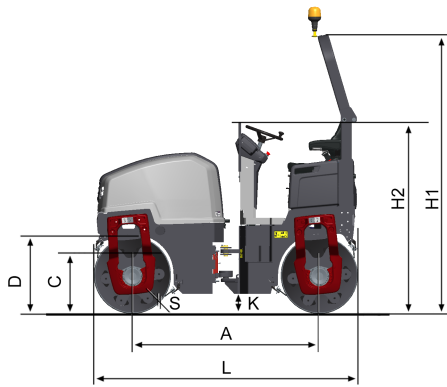
|                        |                            |
|------------------------|----------------------------|
| Manufacturer/Model     | Kubota D1803-CR (T4/V)     |
| Type                   | Water cooled diesel engine |
| Rated power, SAE J1995 | 28 kW (37,5 hp) @ 2700 rpm |

### HYDRAULIC SYSTEM

|                                |   |
|--------------------------------|---|
| Driving                        | Axial piston pump with variable displacement.<br>Radial piston motors (2) with constant displacement. |
| Vibration                      | Gear pump/motors with constant displacement.  |
| Steering                       | Gear pump with constant displacement.   |
| Service brake                  | Hydrostatic in forward and reverse lever.   |
| Parking/<br>Emergency<br>brake | Failsafe multidisc brake in both drums.   |

Find us locally at [www.dynapac.com](http://www.dynapac.com)

We reserve the right to change specifications without notice. Photos and illustrations do not always show standard versions of machines. The above information is a general description only, all information's are supplied without liability.



## TECHNICAL DATA

### DIMENSIONS

|                             |         |
|-----------------------------|---------|
| A. Wheelbase                | 1700 mm |
| B. Width                    | 1210 mm |
| B3. Width, offset           | 50 mm   |
| C. Curb clearance           | 554 mm  |
| D. Drum diameter            | 700 mm  |
| H1. Height, with ROPS/cab   | 2542 mm |
| H2. Height, w/o ROPS/cab    | 1744 mm |
| K. Ground clearance         | 180 mm  |
| L. Length                   | 2400 mm |
| O1. Overhang, right         | 70 mm   |
| O2. Overhang, left          | 70 mm   |
| R1. Turning radius, outside | 3710 mm |
| R2. Turning radius, inside  | 2640 mm |
| S. Drum shell thickness     | 12 mm   |
| W. Drum width               | 1070 mm |
| α. Steering angle           | ±30°    |

Find us locally at [www.dynapac.com](http://www.dynapac.com)

We reserve the right to change specifications without notice. Photos and illustrations do not always show standard versions of machines. The above information is a general description only, all information's are supplied without liability.