



» ECO Mode

Big fuel saving with ECO

» STAGE IV /TIER 4F

Any Dynapac product equipped with a Stage IV engine, is not only compliant with the latest emission stage but is also contributing to great fuel cost savings.

TECHNICAL DATA

MASSES

Max. operating mass	3000 kg
Operating mass (incl. ROPS)	2215 kg
Module mass (front/rear)	1145 kg/1070 kg

COMPACTION

Wheel load	268 kg/wheel
Tyre type (smooth)	640x240-15.6
Centrifugal force	29/25 kN
Nominal amplitude	0.5 mm
Static linear load	10.7 kg/cm
Vibration frequency	66/61 Hz
Water tank	185 l
Emulsion tank	20 l

TRACTION

Speed range	0-10 km/h
Vertical oscillation	±10°
Max. theoretical gradeability	71 %

ENGINE

Manufacturer/Model	Kubota D1703-M (IIIA)
Type	Water cooled diesel engine
Rated power, SAE J1995	26 kW (35 hp) @ 2800 rpm
Fuel tank capacity	45 l

ENGINE

Manufacturer/Model	Kubota D1703-DI (T4/V)
Type	Water cooled diesel engine
Rated power, SAE J1995	18.5 kW (25 hp) @ 2200 rpm

ENGINE

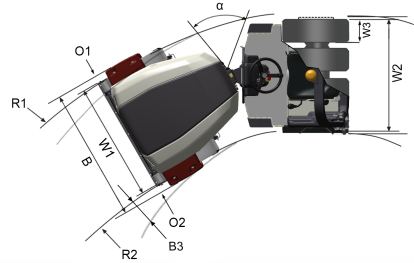
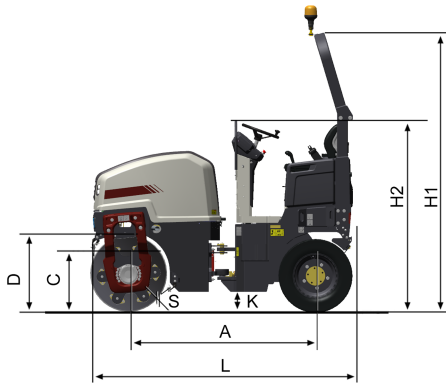
Model	D1803-CR (T4/V)
Manufacturer/Model	Kubota D1803-CR (T4/V)
Type	Water cooled diesel engine
Rated power, SAE J1995	28 kW (37.5 hp) @ 2700 rpm

HYDRAULIC SYSTEM

Driving	Axial piston pump with variable displacement. Radial piston motors with constant displacement.
Vibration	Gear pump/motors with constant displacement.
Steering	Gear pump with constant displacem.
Service brake	Hydrostatic in forward and reverse lever.
Parking/ Emergency brake	Failsafe multidisc brake on drum and wheels.

Find us locally at www.dynapac.com

We reserve the right to change specifications without notice. Photos and illustrations do not always show standard versions of machines. The above information is a general description only, all information's are supplied without liability.



TECHNICAL DATA

DIMENSIONS

A. Wheelbase	1700 mm
B. Width	1340 mm
B3. Width, offset	50 mm
C. Curb clearance	554 mm
D. Drum diameter	700 mm
H1. Height, with ROPS	2542 mm
H2. Height, w/o ROPS/cab	1744 mm
K. Ground clearance	180 mm
L. Length	2400 mm
O1. Overhang, right	70 mm
O2. Overhang, left	70 mm
R1. Turning radius, outside	3710 mm
R2. Turning radius, inside	2640 mm
S. Drum shell thickness	12 mm
W1. Drum width	1070 mm
α. Steering angle	±30°

Find us locally at www.dynapac.com

We reserve the right to change specifications without notice. Photos and illustrations do not always show standard versions of machines. The above information is a general description only, all information's are supplied without liability.