



## TECHNICAL DATA

### MASSES

Max. operating mass	3400 kg
Operating mass (incl. ROPS)	2600 kg
Module mass (front/rear)	1230 kg/1370 kg

### COMPACTION

Centrifugal force	34/29 kN
Nominal amplitude	0.5 mm
Static linear load (front/rear)	10.3/11.4 kg/cm
Vibration frequency	66/61 Hz
Water tank volume	205 l

### TRACTION

Speed range	0-10 km/h
Vertical oscillation	±10°
Max. theoretical gradeability	42 %

### ENGINE

Manufacturer/Model	Kubota D1703-M (IIIA)
Type	Water cooled diesel engine
Rated power, SAE J1995	26 kW (35 hp) @ 2800 rpm
Fuel tank capacity	45 l

### ENGINE

Manufacturer/Model	Kubota D1703-DI (T4/V)
Type	Water cooled diesel engine
Rated power, SAE J1995	18.5 kW (25 hp) @ 2200 rpm

### ENGINE

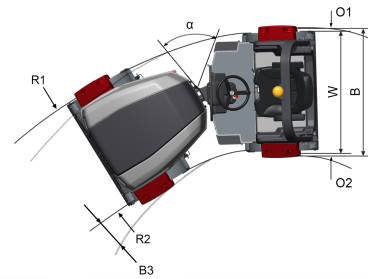
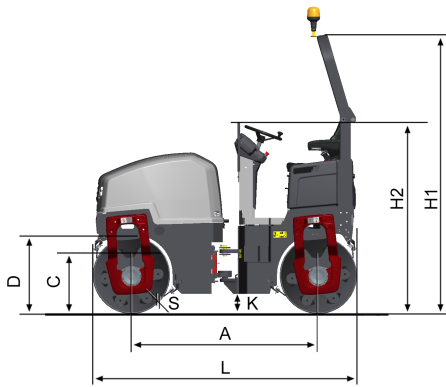
Manufacturer/Model	Kubota D1803-CR (T4/V)
Type	Water cooled diesel engine
Rated power, SAE J1995	28 kW (37.5 hp) @ 2700 rpm

### HYDRAULIC SYSTEM

Driving	Axial piston pump with variable displacement and servo. 2 radial piston motors with constant displacement.
Vibration	Gear pump/motors with constant displacement.
Steering	Gear pump with constant displacement.
Service brake	Hydrostatic in forward and reverse lever.
Parking/ Emergency brake	Failsafe multidisc brake in both drums.

Find us locally at [www.dynapac.com](http://www.dynapac.com)

We reserve the right to change specifications without notice. Photos and illustrations do not always show standard versions of machines. The above information is a general description only, all information's are supplied without liability.



## DIMENSIONS

### DIMENSIONS

A. Wheelbase	1700 mm
B. Width	1340 mm
C. Curb clearance	554 mm
D. Drum diameter	702 mm
H1. Height, with ROPS/cab	2542 mm
H2. Height, w/o ROPS/cab	1744 mm
K. Ground clearance	180 mm
L. Length	2400 mm
O1. Overhang, right	70 mm
O2. Overhang, left	70 mm
R1. Turning radius, outside	3770 mm
R2. Turning radius, inside	2570 mm
S. Drum shell thickness	13 mm
W. Drum width	1200 mm
α. Steering angle	±30°

Find us locally at [www.dynapac.com](http://www.dynapac.com)

We reserve the right to change specifications without notice. Photos and illustrations do not always show standard versions of machines. The above information is a general description only, all information's are supplied without liability.