



TECHNICAL DATA

MASSES

Max. operating mass	3100 kg
Operating mass (incl. ROPS)	3000 kg
Module mass (front/rear)	1400 kg/1600 kg

COMPACTION

Centrifugal force	27 kN
Nominal amplitude	0.5 mm
Static linear load (front/rear)	11.66/13.3 kg/cm
Vibration frequency	58 Hz
Water tank	160 l

TRACTION

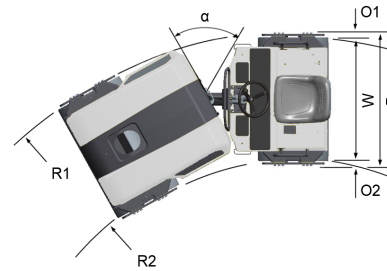
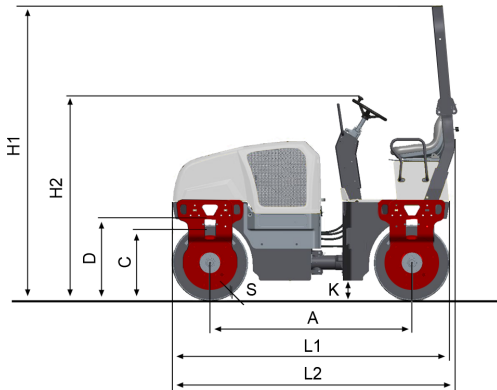
Speed range	0-13 km/h
Vertical oscillation	±10°
Max. theoretical gradeability	38 %

ENGINE

Manufacturer/Model	Kubota D1703-M
Type	Water cooled diesel engine
Rated power, SAE J1995	26.1 kW (35 hp) @ 2800 rpm
Fuel tank capacity	50 l

HYDRAULIC SYSTEM

Driving	Axial piston pump with variable displacement. Radial piston motors (2) with constant displacement.
Vibration	Gear pump/motors with constant displacement.
Steering	Gear pump with constant displacement.
Service brake	Hydrostatic in forward and reverse lever.
Parking/ Emergency brake	Failsafe multidisc brake in both drums.



TECHNICAL DATA

DIMENSIONS

A. Wheelbase	1811 mm
B. Width	1262 mm
C. Curb clearance	572.5 mm
D. Drum diameter	682 mm
H1. Height, with ROPS/cab	2649 mm
H2. Height, w/o ROPS/cab	1836 mm
K. Ground clearance	183 mm
L1. Length	2487 mm
L2. Length (ROPS)	2,588 mm
O1. Overhang, right	31 mm
O2. Overhang, left	31 mm
R1. Turning radius, outside	4100 mm
R2. Turning radius, inside	2900 mm
S. Drum shell thickness	13 mm
W. Drum width	1200 mm
α. Steering angle	±29°

Find us locally at www.dynapac.com

We reserve the right to change specifications without notice. Photos and illustrations do not always show standard versions of machines. The above information is a general description only, all information's are supplied without liability.