



TECHNICAL DATA

MASSES

Max. operating mass	4600 kg
Operating mass (incl. ROPS)	3700 kg
Module mass (front/rear)	1855 kg/1845 kg

COMPACTION

Wheel load	464 kg/wheel
Static linear load	14.3 kg/cm
Water tank	298 l
Emulsion tank	25 l

COMPACTION (SINGLE AMPLITUDE)

Centrifugal force	38/31 kN
Nominal amplitude	0.5 mm
Vibration frequency	54/49 Hz

COMPACTION (DUAL AMPLITUDE)

Centrifugal force (high/low amplitude)	38/21 kN
Nominal amplitude (high/low)	0.5/0.2 mm
Vibration frequency	54/61 Hz

TRACTION

Speed range	0-9 km/h
Vertical oscillation	±10°
Max. theoretical gradeability	41 %

HYDRAULIC SYSTEM

Driving	Axial piston pump with variable displacement. Radial piston motors (3) with constant displacement.
Vibration	Gear pump/motor with constant displacement.
Steering	Gear pump with constant displacem.
Service brake	Hydrostatic in forward and reverse lever.
Parking/ Emergency brake	Failsafe multidisc brake in drum and wheel motors.

ENGINE

Manufacturer/Model	Kubota V2203-M (IIIA)
Type	Water cooled diesel engine
Rated power, SAE J1995	35 kW (48 hp) @ 2700 rpm
Fuel tank capacity	60 l

ENGINE

Manufacturer/Model	Kubota V2403-CR E4B (T4)
Type	Water cooled diesel engine
Rated power, SAE J1995	37 kW (50 hp) @ 2700 rpm

ENGINE

Manufacturer/Model	Kubota V2403-CR E5B (StageV)
Type	Water cooled diesel engine
Rated power, SAE J1995	37 kW (50 hp) @ 2700 rpm

ENGINE

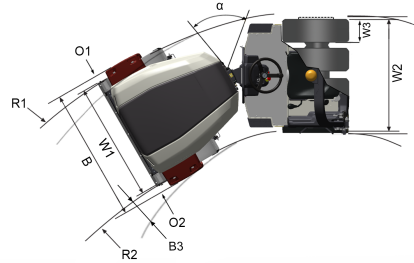
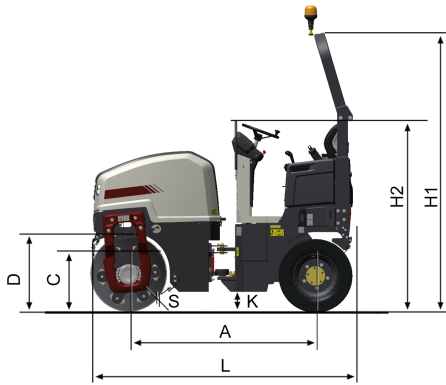
Manufacturer/Model	Kubota V2403-M-DI (CSIV/ECE R96(IIIA))
Type	Water cooled diesel engine
Rated power, SAE J1995	36.5 kW (48.9 hp) @ 2600 rpm

ENGINE

Manufacturer/Model	Perkins 403J-E17T (T4/StageV)
Type	Water cooled diesel engine
Rated power, SAE J1995	36 kW (48 hp) @ 2800 rpm

Find us locally at www.dynapac.com

We reserve the right to change specifications without notice. Photos and illustrations do not always show standard versions of machines. The above information is a general description only, all information's are supplied without liability.



DIMENSIONS

DIMENSIONS

A. Wheelbase	1970 mm
B. Width	1425 mm
B3. Width, offset	50 mm
C. Curb clearance	690 mm
D. Drum diameter	880 mm
H1. Height, with ROPS	2855 mm
H2. Height, w/o ROPS	2025 mm
K. Ground clearance	190 mm
L. Length	2830 mm
O1. Overhang, right	62.5 mm
O2. Overhang, left	62.5 mm
R1. Turning radius, outside	4330 mm
R2. Turning radius, inside	3030 mm
S. Drum shell thickness	16 mm
W1. Drum width	1300 mm
W2. Width, wheel module	1282 mm
W3. Width, tyre	285 mm
α . Steering angle	$\pm 30^\circ$

Find us locally at www.dynapac.com

We reserve the right to change specifications without notice. Photos and illustrations do not always show standard versions of machines. The above information is a general description only, all information's are supplied without liability.