



TECHNICAL DATA

MASSES

Max. operating mass	5130 kg
Operating mass (incl. ROPS)	4300 kg
Module mass (front/rear)	2080 kg/2220 kg

COMPACTION (SINGLE AMPLITUDE)

Centrifugal force	43/35 kN
Nominal amplitude	0.5 mm
Static linear load (front/rear)	15.1/16.1 kg/cm
Vibration frequency	54/49 Hz
Water tank	298 l

COMPACTION (DUAL AMPLITUDE)

Centrifugal force (high/low amplitude)	43/22 kN
Nominal amplitude (high/low)	0.5/0.2 mm
Vibration frequency	54/61 Hz

TRACTION

Speed range	0-9 km/h
Vertical oscillation	±10°
Max. theoretical gradeability	37 %

HYDRAULIC SYSTEM

Driving	Axial piston pump with variable displacement. Radial piston motors (2) with constant displacement.
Vibration	Gear pump/motors with constant displacement.
Steering	Gear pump with constant displacement.
Service brake	Hydrostatic in forward and reverse lever.
Parking/ Emergency brake	Failsafe multidisc brake in both drums.

ENGINE

Manufacturer/Model	Kubota V2203-M (IIIA)
Type	Water cooled diesel engine
Rated power, SAE J1995	35 kW (48 hp) @ 2700 rpm
Fuel tank capacity	60 l

ENGINE

Manufacturer/Model	Kubota V2403-CR E4B (T4)
Type	Water cooled diesel engine
Rated power, SAE J1995	37 kW (50 hp) @ 2700 rpm

ENGINE

Manufacturer/Model	Kubota V2403-CR E5B (StageV)
Type	Water cooled diesel engine
Rated power, SAE J1995	37 kW (50 hp) @ 2700 rpm

ENGINE

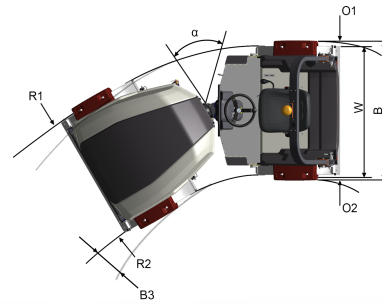
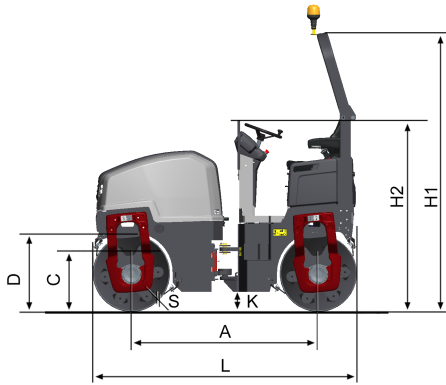
Manufacturer/Model	Kubota V2403-M-DI (CSIV/ECE R96(IIIA))
Type	Water cooled diesel engine
Rated power, SAE J1995	36.5 kW (48.9 hp) @ 2600 rpm

ENGINE

Manufacturer/Model	Perkins 403J-E17T (T4/StageV)
Type	Water cooled diesel engine
Rated power, SAE J1995	36 kW (48 hp) @ 2800 rpm

Find us locally at www.dynapac.com

We reserve the right to change specifications without notice. Photos and illustrations do not always show standard versions of machines. The above information is a general description only, all information's are supplied without liability.



DIMENSIONS

DIMENSIONS

A. Wheelbase	1970 mm
B. Width	1505 mm
B3. Width, offset	50 mm
C. Curb clearance	690 mm
D. Drum diameter	882 mm
H1. Height, with ROPS/cab	2855 mm
H2. Height, w/o ROPS/cab	2025 mm
K. Ground clearance	190 mm
L. Length	2850 mm
O. Off-set	50 mm
O1. Overhang, right	62.5 mm
O2. Overhang, left	62.5 mm
R1. Turning radius, outside	4370 mm
R2. Turning radius, inside	2990 mm
S. Drum shell thickness	17 mm
W. Drum width	1380 mm
α . Steering angle	$\pm 30^\circ$

Find us locally at www.dynapac.com

We reserve the right to change specifications without notice. Photos and illustrations do not always show standard versions of machines. The above information is a general description only, all information's are supplied without liability.