



## TECHNICAL DATA

### MASSES

|                             |                 |
|-----------------------------|-----------------|
| Max. operating mass         | 4800 kg         |
| Operating mass (incl. ROPS) | 3900 kg         |
| Module mass (front/rear)    | 2080 kg/1820 kg |

### COMPACTION

|                    |              |
|--------------------|--------------|
| Wheel load         | 455 kg/wheel |
| Static linear load | 15.1 kg/cm   |
| Water tank         | 298 l        |
| Emulsion tank      | 25 l         |

### COMPACTION (SINGLE AMPLITUDE)

|                     |          |
|---------------------|----------|
| Centrifugal force   | 43/35 kN |
| Nominal amplitude   | 0.5 mm   |
| Vibration frequency | 54/49 Hz |

### COMPACTION (DUAL AMPLITUDE)

|  |            |
|--|------------|
| Centrifugal force (high/low amplitude) | 43/22 kN   |
| Nominal amplitude (high/low)           | 0.5/0.2 mm |
| Vibration frequency                    | 54/61 Hz   |

### TRACTION

|                               |          |
|-------------------------------|----------|
| Speed range                   | 0-9 km/h |
| Vertical oscillation          | ±10°     |
| Max. theoretical gradeability | 39 %     |

### HYDRAULIC SYSTEM

|                       |   |
|-----------------------|---|
| Driving               | Axial piston pump with variable displacement. Radial piston motors with constant displacement |
| Vibration             | Gear pump/motor with constant displacement  |
| Steering              | Gear pump with constant displacem.  |
| Service brake         | Hydrostatic in forward and reverse lever.   |
| Parking/<br>Emergency | Failsafe multidisc brake on drum and wheels   |

### ENGINE

|                        |                            |
|------------------------|----------------------------|
| Manufacturer/Model     | Kubota V2203-M (IIIA)      |
| Type                   | Water cooled diesel engine |
| Rated power, SAE J1995 | 35 kW (48 hp ) @ 2700 rpm  |
| Fuel tank capacity     | 60 l                       |

### ENGINE

|                        |                            |
|------------------------|----------------------------|
| Manufacturer/Model     | Kubota V2403-CR E4B (T4)   |
| Type                   | Water cooled diesel engine |
| Rated power, SAE J1995 | 37 kW (50 hp ) @ 2700 rpm  |

### ENGINE

|                        |                              |
|------------------------|------------------------------|
| Manufacturer/Model     | Kubota V2403-CR E5B (StageV) |
| Type                   | Water cooled diesel engine   |
| Rated power, SAE J1995 | 37 kW (50 hp ) @ 2700 rpm    |

### ENGINE

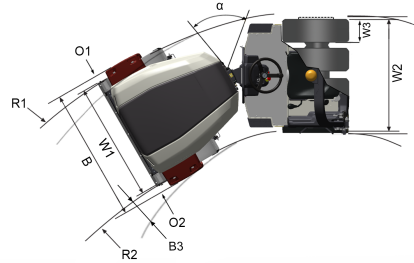
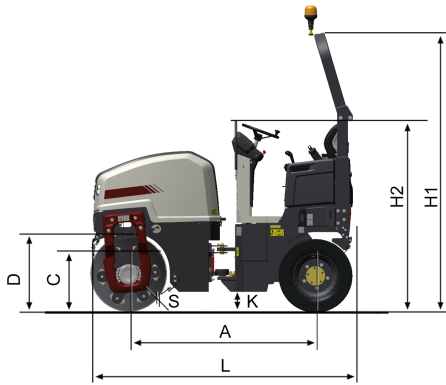
|                        |  |
|------------------------|--|
| Manufacturer/Model     | Kubota V2403-M-DI (CSIV/ECE R96(IIIA)) |
| Type                   | Water cooled diesel engine             |
| Rated power, SAE J1995 | 36.5 kW (48.9 hp ) @ 2600 rpm          |

### ENGINE

|                        |                               |
|------------------------|-------------------------------|
| Manufacturer/Model     | Perkins 403J-E17T (T4/StageV) |
| Type                   | Water cooled diesel engine    |
| Rated power, SAE J1995 | 36 kW (48 hp ) @ 2800 rpm     |

Find us locally at [www.dynapac.com](http://www.dynapac.com)

We reserve the right to change specifications without notice. Photos and illustrations do not always show standard versions of machines. The above information is a general description only, all information's are supplied without liability.



## DIMENSIONS

### DIMENSIONS

|                             |                |
|-----------------------------|----------------|
| A. Wheelbase                | 1970 mm        |
| B. Width                    | 1505 mm        |
| B3. Width, offset           | 50 mm          |
| C. Curb clearance           | 690 mm         |
| D. Drum diameter            | 882 mm         |
| H1. Height, with ROPS/cab   | 2855 mm        |
| H2. Height, w/o ROPS/cab    | 2025 mm        |
| K. Ground clearance         | 190 mm         |
| L. Length                   | 2830 mm        |
| O. Off-set                  | 50 mm          |
| O1. Overhang, right         | 62.5 mm        |
| O2. Overhang, left          | 62.5 mm        |
| R1. Turning radius, outside | 4370 mm        |
| R2. Turning radius, inside  | 2990 mm        |
| S. Drum shell thickness     | 17 mm          |
| W1. Drum width              | 1380 mm        |
| W2. Width, wheel module     | 1282 mm        |
| W3. Width, tyre             | 285 mm         |
| $\alpha$ . Steering angle   | $\pm 30^\circ$ |

Find us locally at [www.dynapac.com](http://www.dynapac.com)

We reserve the right to change specifications without notice. Photos and illustrations do not always show standard versions of machines. The above information is a general description only, all information's are supplied without liability.