



- Operator station -slidable, 180 deg or full rotation
- Touch screen display -moves with the seat
- 4-3-2 full back-up water sprinkler system
- 335 mm optional drum offset



TECHNICAL DATA

MASSES

Max. operating mass	8850 kg
Operating mass (incl. ROPS)	8000 kg
Operating mass (incl. Cab)	8250 kg
Operating mass (incl. Cab and offset)	8500 kg
Module mass (front/rear)	4100 kg/3900 kg

COMPACTION

Centrifugal force (high/low amplitude)	75 kN/64 kN
Nominal amplitude (high/low)	0.7 mm/0.3 mm
Static linear load (front/rear)	27.3 kg/cm /26.0 kg/cm
Vibration frequency (high/low amplitude)	47 Hz/67 Hz
Water tank	750 l

COMPACTION (CE)

Centrifugal force (high/low amplitude)	75 kN/40 kN
Vibration frequency (high/low amplitude)	47 Hz /53 Hz

TRACTION

Speed range	0-12 km/h
Vertical oscillation	±6°
Max. theoretical gradeability	45 %

ENGINE

Manufacturer/Model	Deutz TCD 3.6 HT T4f
Type	Water cooled turbo diesel
Rated power, SAE J1995	55 kW (74 hp) @ 2200 rpm
Fuel tank capacity	130 l

ENGINE

Manufacturer/Model	Cummins QSB 3.3 IIIA/T3
Type	Water cooled turbo diesel
Rated power, SAE J1995	74kW (99hp) @ 2200 rpm

ENGINE

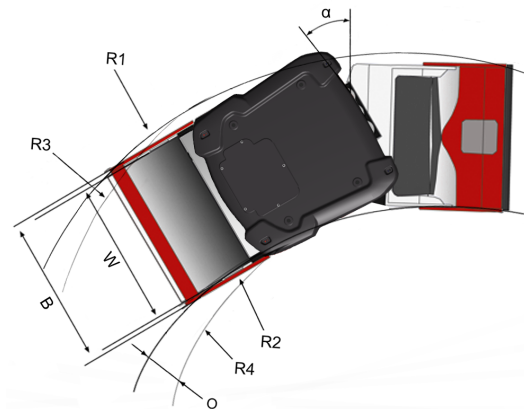
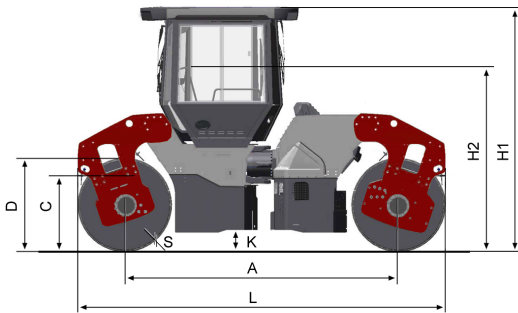
Manufacturer/Model	Deutz TCD 3.6 HT Stage V
Type	Water cooled turbo diesel
Rated power, SAE J1995	55 kW (74 hp) @ 2200 rpm

HYDRAULIC SYSTEM

Driving	Axial piston pump with variable displacem. Rad. piston motors(2) with variable displacem.
Vibration	Axial piston pumps(2) with variable displacem. Axial piston motors(2) with const. displacem.
Steering	Gear pump with constant displacem.
Service brake	Hydrostatic in forward and reverse lever.
Parking/ Emergency brake	Failsafe multidisc brake in both drums.

Find us locally at www.dynapac.com

We reserve the right to change specifications without notice. Photos and illustrations do not always show standard versions of machines. The above information is a general description only, all information's are supplied without liability.



DIMENSIONS

DIMENSIONS

A. Wheelbase	3,340 mm
B. Width	1680 mm
B2. Width, with cab	1930 mm
C. Curb clearance	580 mm
D. Drum diameter	1120 mm
H1. Height, with ROPS/cab	2990 mm
K. Ground clearance	270 mm
L. Length	4460 mm
O. Off-set	345 mm
R1. Turning radius, outside	6570 mm
R2. Turning radius, inside	5070 mm
R3. Turning radius with off-set, outside	4890 mm
R4. Turning radius with off-set, inside	3390 mm
S. Drum shell thickness	20 mm
W. Drum width	1500 mm
α. Steering angle	±32°

OPTIONAL EQUIPMENT

Air Conditioning /Automatic Climate Control (ACC) (Optional)

- The system contains fluorinated greenhouse gases.
- Coolant designation: HFC-134a
- Coolant weight when full: 1,35 kg
- CO₂-equivalent: 1,930 ton
- GWP: 1430

Find us locally at www.dynapac.com

We reserve the right to change specifications without notice. Photos and illustrations do not always show standard versions of machines. The above information is a general description only, all information's are supplied without liability.