



- Operator station -slidable, 180 deg or full rotation
- Touch screen display -moves with the seat
- Scrapers and cocoa mats for the tires
- 335 mm drum offset



## TECHNICAL DATA

### MASSES

Max. operating mass	8200 kg
Operating mass (incl. ROPS)	7500 kg
Module mass (front/rear)	4000 kg/3500 kg

### COMPACTION

Wheel load	875 kg/wheel
Centrifugal force (high/low amplitude)	75/64 kN
Nominal amplitude (high/low)	0.70/0.30 mm
Static linear load	26.6 kg/cm
Vibration frequency (high/low amplitude)	47/67 Hz
Water tank	750 l
Emulsion tank	78 l

### COMPACTION (CE)

Centrifugal force (high/low amplitude)	75/40 kN
Vibration frequency (high/low amplitude)	47 Hz /53 Hz

### TRACTION

Speed range	0-12 km/h
Vertical oscillation	±7
Max. theoretical gradeability	49 %

### ENGINE

Manufacturer/Model	Deutz TCD 3.6 HT T4f
Type	Water cooled turbo diesel
Rated power, SAE J1995	55 kW (74 hp ) @ 2200 rpm
Fuel tank capacity	130 l

### ENGINE

Manufacturer/Model	Cummins QSB 3.3, IIIA/T3
Type	Water cooled turbo Diesel
Rated power, SAE J1995	74 kW (99 hp ) @ 2200 rpm

### ENGINE

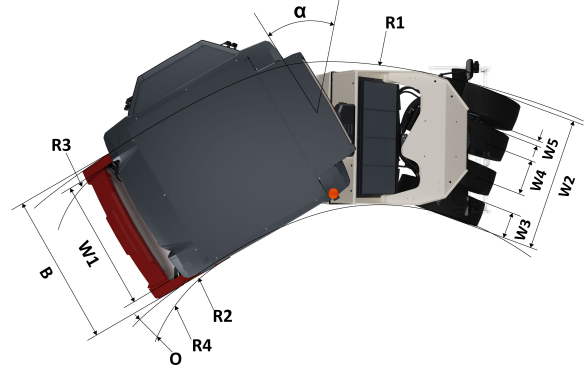
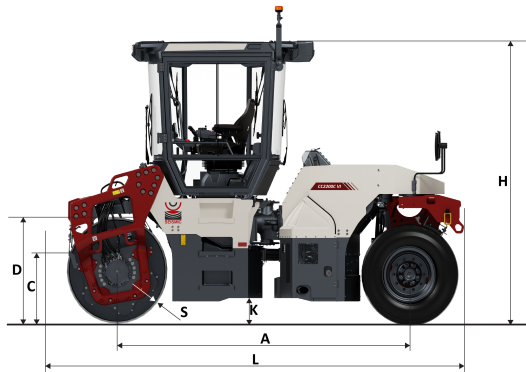
Manufacturer/Model	Deutz TCD 3.6 HT Stage V
Type	Water cooled turbo diesel
Rated power, SAE J1995	55 kW (74 hp ) @ 2200 rpm

### HYDRAULIC SYSTEM

Driving	Axial piston pump with variable displacement. Radial piston motors (3) with variable displacement.
Vibration	Axial piston pump with variable displacement. Axial piston motor with constant displacement.
Steering	Gear pump with constant displacem.
Service brake	Hydrostatic in forward and reverse lever.
Parking/ Emergency brake	Failsafe multidisc brake in both drums.

Find us locally at [www.dynapac.com](http://www.dynapac.com)

We reserve the right to change specifications without notice. Photos and illustrations do not always show standard versions of machines. The above information is a general description only, all information's are supplied without liability.



## DIMENSIONS

### DIMENSIONS

A. Wheelbase	3340 mm
B. Width	1680 mm
C. Curb clearance	735 mm
D. Drum diameter	1150 mm
H1. Height, with ROPS/cab	2990 mm
K. Ground clearance	270 mm
L. Length	4510 mm
O. Off-set	335 mm
R1. Turning radius, outside	6570 mm
R2. Turning radius, inside	5070 mm
R3. Turning radius with off-set, outside	4890 mm
R4. Turning radius with off-set, inside	3390 mm
S. Drum shell thickness	20 mm
W1. Drum width	1500 mm
W2. Width, wheel module	1436 mm
W3. Width, tyre	285 mm
W4. Wheel track	463 mm
W5. Wheel spacing	59 mm
$\alpha$ . Steering angle	$\pm 32^\circ$

### OPTIONAL EQUIPMENT

#### Air Conditioning /Automatic Climate Control (ACC) (Optional)

- The system contains fluorinated greenhouse gases.
- Coolant designation: HFC-134a
- Coolant weight when full: 1,35 kg
- CO<sub>2</sub>-equivalent: 1,930 ton
- GWP: 1430

Find us locally at [www.dynapac.com](http://www.dynapac.com)

We reserve the right to change specifications without notice. Photos and illustrations do not always show standard versions of machines. The above information is a general description only, all information's are supplied without liability.