



TECHNICAL DATA

MASSES

Max. operating mass	8500 kg
Operating mass (incl. ROPS)	7700 kg
Module mass (front/rear)	4075 kg/3625 kg

COMPACTION

Wheel load	906 kg/wheel
Centrifugal force (high/low amplitude)	90/75 kN
Nominal amplitude (high/low)	0.7/0.3 mm
Static linear load	23.6 kg/cm
Vibration frequency (high/low amplitude)	48/67 Hz
Water tank	750 l
Emulsion tank	78 l

COMPACTION (CE)

Centrifugal force (high/low amplitude)	77/43 kN
Nominal amplitude (high/low)	0.6/0.2 mm
Vibration frequency (high/low amplitude)	48/62 Hz

TRACTION

Speed range (Dual/TC/AS)	0-12 km/h
Vertical oscillation	±7
Max. theoretical gradeability	45 %

ENGINE

Manufacturer/Model	Deutz TCD 3.6 HT T4f
Type	Water cooled turbo Diesel
Rated power, SAE J1995	55 kW (74 hp) @ 2200 rpm
Fuel tank capacity	130 l

ENGINE

Manufacturer/Model	Cummins QSB 3.3 IIIA/T3
Type	Water cooled turbo Diesel
Rated power, SAE J1995	74 kW (99 hp) @ 2200 rpm

ENGINE

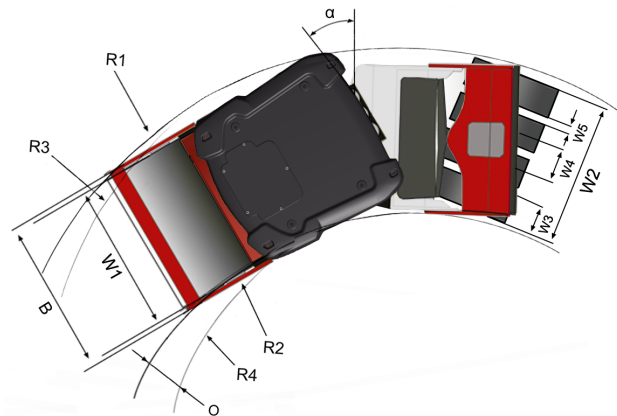
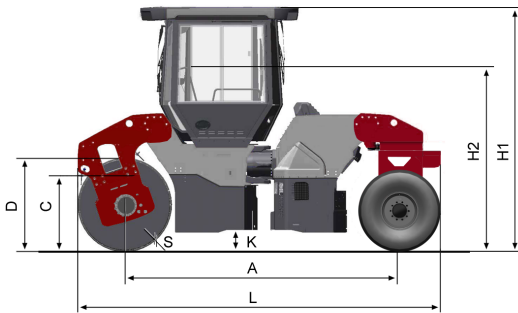
Manufacturer/Model	Deutz TCD 3.6 HT StageV
Type	Water cooled turbo Diesel
Rated power, SAE J1995	55 kW (74 hp) @ 2200 rpm

HYDRAULIC SYSTEM

Driving	Axial piston pump with variable displacement. Axial piston motors (3) with variable displacement.
Vibration	Axial piston pump with variable displacement. Axial piston motor with constant displacement.
Steering	Gear pump with constant displacem.
Service brake	Hydrostatic in forward and reverse lever.
Parking/ Emergency brake	Failsafe multidisc brake in both drums.

Find us locally at www.dynapac.com

We reserve the right to change specifications without notice. Photos and illustrations do not always show standard versions of machines. The above information is a general description only, all information's are supplied without liability.



DIMENSIONS

DIMENSIONS

A. Wheelbase	3340 mm
B. Width	1870 mm
C. Curb clearance	715 mm
D. Drum diameter	1150 mm
H1. Height, with ROPS/cab	2990 mm
K. Ground clearance	270 mm
L. Length	4490 mm
O. Off-set	335 mm
R1. Turning radius, outside	6690 mm
R2. Turning radius, inside	4960 mm
R3. Turning radius with off-set, outside	5000 mm
R4. Turning radius with off-set, inside	3270 mm
S. Drum shell thickness	20 mm
W1. Drum width	1730 mm
W2. Width, wheel module	1652 mm
W3. Width, tyre	285 mm
W4. Wheel track	467 mm
W5. Wheel spacing	165 mm
α. Steering angle	±32°

OPTIONAL EQUIPMENT

Air Conditioning /Automatic Climate Control (ACC) (Optional)

- The system contains fluorinated greenhouse gases.
- Coolant designation: HFC-134a
- Coolant weight when full: 1,35 kg
- CO₂-equivalent: 1,930 ton
- GWP: 1430

Find us locally at www.dynapac.com

We reserve the right to change specifications without notice. Photos and illustrations do not always show standard versions of machines. The above information is a general description only, all information's are supplied without liability.