



- Operator station -slidable, 180 deg or full rotation
- Touch screen display -moves with the seat
- 4-3-2 full back-up water sprinkler system
- 520 mm optional drum offset



## TECHNICAL DATA

### MASSES

Max. operating mass	12850 kg
Operating mass (incl. ROPS)	9700 kg
Operating mass (incl. Cab)	9850 kg
Module mass (front/rear)	4850 kg/4850 kg

### COMPACTION

Centrifugal force (high/low amplitude)	113 kN/74 kN
Nominal amplitude (high/low)	0.8 mm/0.3 mm
Static linear load (front/rear)	28.9 kg/cm/28.9 kg/cm
Vibration frequency (high/low amplitude)	51 Hz/67 Hz
Water tank volume	680 liters /(880 liters w. opt. watert.)
Water tank volume (front drum steering)	740 liters

### COMPACTION (CE)

Centrifugal force (high/low amplitude)	100 kN /61 kN
Vibration frequency (high/low amplitude)	48 Hz /61 Hz

### TRACTION

Speed range	0-12 km/h
Vertical oscillation	±7°
Max. theoretical gradeability	45 %

### ENGINE

Manufacturer/Model	Cummins F3.8 V
Type	Water cooled turbo diesel
Rated power, SAE J1995	100 kW (135 hp ) @ 2.200 rpm
Fuel tank capacity	180 l
DEF tank capacity	15 l

### ENGINE

Manufacturer/Model	Cummins QSF 3.8 IV/T4f
Type	Water cooled turbo diesel
Rated power, SAE J1995	97 kW (130 hp ) @ 2200 rpm

### ENGINE

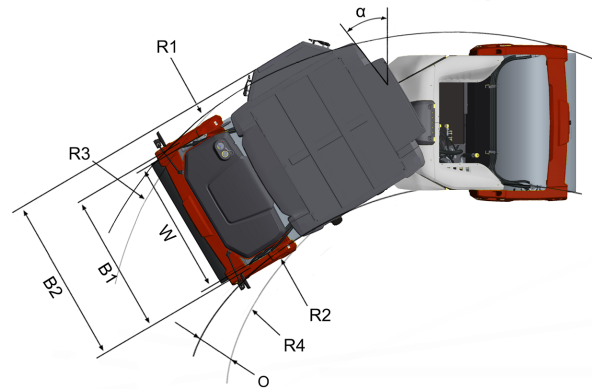
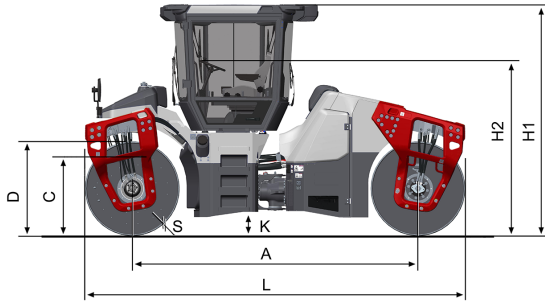
Manufacturer/Model	Cummins QSF 3.8 IIIA/T3
Type	Water cooled turbo diesel
Rated power, SAE J1995	104 kW (140 hp ) @ 2200 rpm

### HYDRAULIC SYSTEM

Driving	Axial piston pump with variable displacem. Rad. piston motors(2) with variable displacem.
Vibration	Axial piston pumps(2) with variable displacem. Axial piston motors(2) with const. displacem.
Steering	Gear pump with constant displacem.
Service brake	Hydrostatic in forward and reverse lever.
Parking/ Emergency brake	Failsafe multidisc brake in both drums.

Find us locally at [www.dynapac.com](http://www.dynapac.com)

We reserve the right to change specifications without notice. Photos and illustrations do not always show standard versions of machines. The above information is a general description only, all information's are supplied without liability.



## DIMENSIONS

### DIMENSIONS

A. Wheelbase	3680 mm
B1. Width, front	1910 mm
B2. Width, with cab	2140 mm
C. Curb clearance	815 mm
D. Drum diameter	1220 mm
H. Height, with ROPS/cab	2990 mm
K. Ground clearance	310 mm
L. Length	4900 mm
O. Off-set	520 mm
R1. Turning radius, outside	7270 mm
R2. Turning radius, inside	5590 mm
R3. Turning radius with off-set, outside	5460 mm
R4. Turning radius with off-set, inside	3780 mm
S. Drum shell thickness	18 mm
W. Drum width	1680 mm
$\alpha$ . Steering angle	$\pm 32^\circ$

### OPTIONAL EQUIPMENT

#### Air Conditioning /Automatic Climate Control (ACC) (Optional)

- The system contains fluorinated greenhouse gases.
- Coolant designation: HFC-134a
- Coolant weight when full: 1,6 kg
- CO<sub>2</sub>-equivalent: 2,288 ton
- GWP: 1430

Find us locally at [www.dynapac.com](http://www.dynapac.com)

We reserve the right to change specifications without notice. Photos and illustrations do not always show standard versions of machines. The above information is a general description only, all information's are supplied without liability.