



TECHNICAL DATA

MASSES

Max. operating mass	11 950 kg
Operating mass (incl. Canopy)	9 900 kg
Operating mass (incl. Cab)	10 400 kg
Module mass (front/rear)	5 300 kg/5 100 kg

COMPACTION

Centrifugal force (high/low amplitude)	139 kN/92 kN
Nominal amplitude (high/low)	0,8 mm/0,3 mm
Static linear load (front/rear)	31,0/29,0 kg/cm
Vibration frequency (high/low amplitude)	51 Hz/67 Hz
Water tank volume	900 l

TRACTION

Speed range (Dual/TC/AS)	0-12 km/h
Vertical oscillation	±7°
Max. theoretical gradeability	45 %
Off-set	320 mm

ENGINE

Manufacturer/Model	Cummins QSB4.5 IIIA/T3
Type	Water cooled turbo Diesel
Rated power, SAE J1995	93 kW (125 hp) @ 2 200 rpm
Fuel tank capacity	240 l

ENGINE

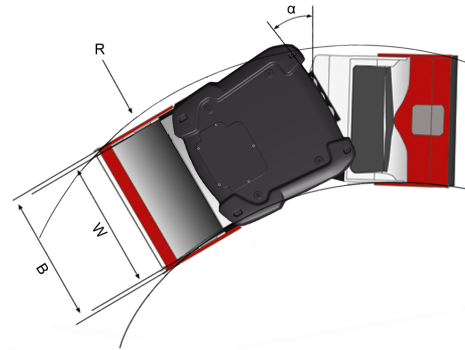
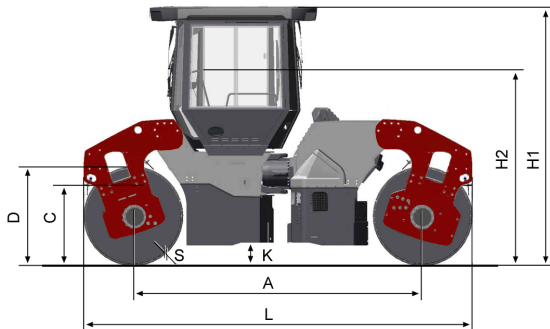
Manufacturer/Model	Cummins QSB4.5 IIIA/T3
Type	Water cooled turbo diesel
Rated power, SAE J1995	82 kW (110 hp) @ 2200 rpm

HYDRAULIC SYSTEM

Driving	Axial piston pump with variable displacement. Axial piston motors (2) with variable displacement.
Vibration	Axial piston pumps(2) with variable displacem. Axial piston motors(2) with const. displacem.
Steering	Gear pump with constant displacem.
Service brake	Hydrostatic in forward and reverse lever.
Parking/ Emergency brake	Failsafe multidisc brake in both drums.

Find us locally at www.dynapac.com

We reserve the right to change specifications without notice. Photos and illustrations do not always show standard versions of machines. The above information is a general description only, all information's are supplied without liability.



DIMENSIONS

DIMENSIONS

A. Wheelbase	3 690 mm
B. Width	1 878 mm
C. Curb clearance	865 mm
D. Drum diameter	1 300 mm
H1. Height, with ROPS/cab	2 990 mm
H2. Height, w/o ROPS/cab	2 275 mm
K. Ground clearance	310 mm
L. Length	4 990 mm
R. Turning radius, outside	5 960 mm
S. Drum shell thickness	18 mm
W. Drum width	1 730 mm
α. Steering angle	±32°

OPTIONAL EQUIPMENT

Air Conditioning

- The system contains fluorinated greenhouse gases.
- Coolant designation: HFC-134a
- Coolant weight when full: 1,35 kg
- CO₂-equivalent: 1,930 ton
- GWP: 1430

Machine data based on machine with cab, air condition and offset

- Please note unless otherwise stated all data is based on machine equipped with cab, air condition and offset

Find us locally at www.dynapac.com

We reserve the right to change specifications without notice. Photos and illustrations do not always show standard versions of machines. The above information is a general description only, all information's are supplied without liability.