



TECHNICAL DATA

MASSES

Max. operating mass	10900 kg
Operating mass (incl. ROPS)	10000 kg
Module mass (front/rear)	5600 kg/4400 kg

COMPACTION

Wheel load	1100 (kg/wheel)
Centrifugal force (high/low amplitude)	154/101 kN
Nominal amplitude (high/low)	0.8/0.3 mm
Static linear load	28.7 kg/cm
Vibration frequency (high/low amplitude)	51/67 Hz
Water tank volume	900/1150 l
Emulsion tank	78 l

TRACTION

Speed range (Dual/TC/AS)	0 -12
Vertical oscillation	±8°
Max. theoretical gradeability	35 %

ENGINE

Manufacturer/Model	Cummins QSB 4.5, IIIB/T4i
Type	Water cooled turbo Diesel
Rated power, SAE J1995	97 kW (130 hp) @ 2200 rpm
Fuel tank capacity	240 l

ENGINE

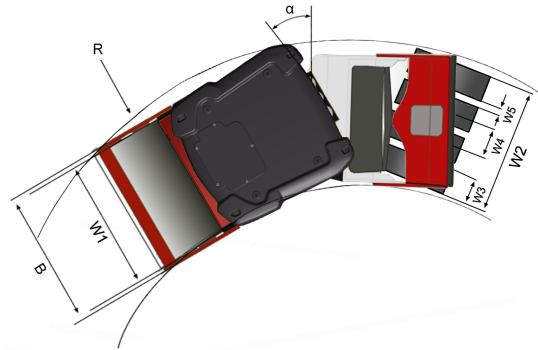
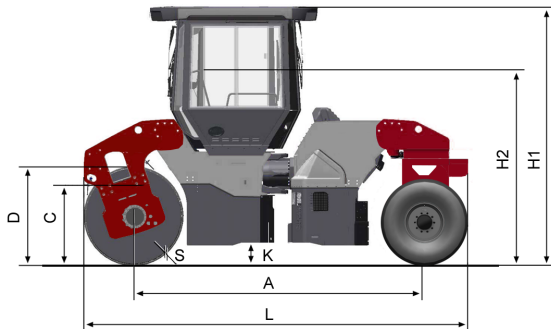
Manufacturer/Model	Cummins QSB 4.5, IIIA/T3
Rated power, SAE J1995	93 kW (125 hp) @ 2200 rpm

HYDRAULIC SYSTEM

Driving	Axial piston pump with variable displacement. Axial piston motors (3) with variable displacement.
Vibration	Axial piston pump with variable displacement. Axial piston motor with constant displacement.
Steering	Gear pump with constant displacement.
Service brake	Hydrostatic in forward and reverse lever.
Parking/ Emergency brake	Failsafe multidisc brake in drum and wheel motors.

Find us locally at www.dynapac.com

We reserve the right to change specifications without notice. Photos and illustrations do not always show standard versions of machines. The above information is a general description only, all information's are supplied without liability.



TECHNICAL DATA

DIMENSIONS

A. Wheelbase	3690 mm
B. Width	2138 mm
C. Curb clearance	865 mm
D. Drum diameter	1300 mm
H1. Height, with ROPS/cab	2990 mm
H2. Height, w/o ROPS/cab	2275 mm
K. Ground clearance	310 mm
L. Length	4990 mm
R. Turning radius, outside	5070 mm
S. Drum shell thickness	18 mm
W1. Drum width	1950 mm
W2. Width, wheel module	1652 mm
W3. Width, tyre	285 mm
W4. Wheel track	467 mm
W5. Wheel spacing	165 mm
α. Steering angle	±32°

OPTIONAL EQUIPMENT

Air Conditioning /Automatic Climate Control (ACC) (Optional)

- The system contains fluorinated greenhouse gases.
- Coolant designation: HFC-134a
- Coolant weight when full: 1,35 kg
- CO₂-equivalent: 1,930 ton
- GWP: 1430

Find us locally at www.dynapac.com

We reserve the right to change specifications without notice. Photos and illustrations do not always show standard versions of machines. The above information is a general description only, all information's are supplied without liability.