



- Operator station -slidable, 180 deg or full rotation
- Touch screen display -moves with the seat
- Scrapers and cocoa mats for the tires
- 520 mm drum offset



TECHNICAL DATA

MASSES

Max. operating mass	11700 kg
Operating mass (incl. ROPS)	10310 kg
Module mass (front/rear)	5900 kg/4410 kg

COMPACTION

Wheel load	1100 kg/wheel
Centrifugal force (high/low amplitude)	144/93 kN
Nominal amplitude (high/low)	0.8/0.3 mm
Static linear load	30.3 kg/cm
Vibration frequency (high/low amplitude)	51/67 Hz
Water tank volume	850 l
Emulsion tank	200 l
Water tank volume (front drum steering)	660 l

COMPACTION (CE)

Centrifugal force (high/low amplitude)	106 kN/68 kN
Vibration frequency (high/low amplitude)	44 Hz/58 Hz

TRACTION

Speed range	0-12 km/h
Vertical oscillation	±7°
Max. theoretical gradeability	35 %

ENGINE

Manufacturer/Model	Cummins F3.8 V
Type	Water cooled turbo diesel
Rated power, SAE J1995	100 kW (135 hp) @ 2200 rpm
Fuel tank capacity	180 l
DEF tank capacity	15 l

ENGINE

Manufacturer/Model	Cummins QSF3.8 IV/T4f
Type	Water cooled turbo diesel
Rated power, SAE J1995	97 kW (130 hp) @ 2200 rpm
Fuel tank capacity	180 l
DEF tank capacity	15 l

ENGINE

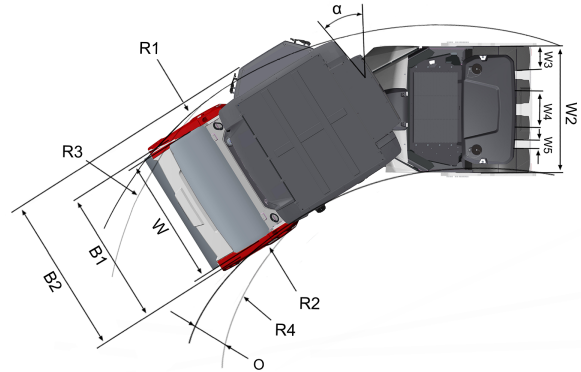
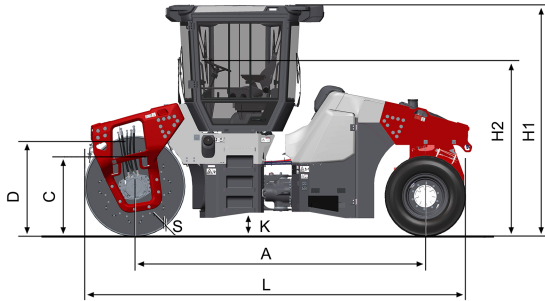
Manufacturer/Model	Cummins QSF 3.8 IIIA/T3
Type	Water cooled turbo diesel
Rated power, SAE J1995	104 kW (140 hp) @ 2200 rpm

HYDRAULIC SYSTEM

Driving	Axial piston pump with variable displacement. Radial piston motors (3) with variable displacement.
Vibration	Axial piston pump with variable displacement. Axial piston motor with constant displacement.
Steering	Gear pump with constant displacem.
Service brake	Hydrostatic in forward and reverse lever.
Parking/ Emergency brake	Failsafe multidisc brake in drum and wheel motors.

Find us locally at www.dynapac.com

We reserve the right to change specifications without notice. Photos and illustrations do not always show standard versions of machines. The above information is a general description only, all information's are supplied without liability.



DIMENSIONS

DIMENSIONS

A. Wheelbase	3720 mm
B1. Width, front	2180 mm
B2. Width, with cab	2410 mm
C. Curb clearance	815 mm
D. Drum diameter	1300 mm
H1. Height, with ROPS/cab	2990 mm
K. Ground clearance	310 mm
L. Length	5001 mm
O. Off-set	520 mm
R1. Turning radius, outside	7410 mm
R2. Turning radius, inside	5460 mm
R3. Turning radius with off-set, outside	5580 mm
R4. Turning radius with off-set, inside	3630 mm
S. Drum shell thickness	20 mm
W1. Drum width	1950 mm
W2. Width, wheel module	1610 mm
W3. Width, tyre	322 mm
W4. Wheel track	464 mm
W5. Wheel spacing	128 mm
α. Steering angle	±32°

OPTIONAL EQUIPMENT

Air Conditioning /Automatic Climate Control (ACC) (Optional)

- The system contains fluorinated greenhouse gases.
- Coolant designation: HFC-134a
- Coolant weight when full: 1,6 kg
- CO₂-equivalent: 2,288 ton
- GWP: 1430

Find us locally at www.dynapac.com

We reserve the right to change specifications without notice. Photos and illustrations do not always show standard versions of machines. The above information is a general description only, all information's are supplied without liability.