



TECHNICAL DATA

MASSES

Max. operating mass	13 950 kg
Operating mass (incl. Canopy)	12 200 kg
Operating mass (incl. Cab)	12 700 kg
Module mass (front/rear)	6 400 kg/6 300 kg

COMPACTION

Centrifugal force (high/low amplitude)	166 kN/106 kN
Nominal amplitude (high/low)	0,8 mm/0,3 mm
Static linear load (front/rear)	30,0/30,0 kg/cm
Vibration frequency (high/low amplitude)	51 Hz/67 Hz
Water tank volume	900/1150/1400

TRACTION

Speed range (Dual/TC/AS)	0-12
Vertical oscillation	±7°
Max. theoretical gradeability	38 %

ENGINE

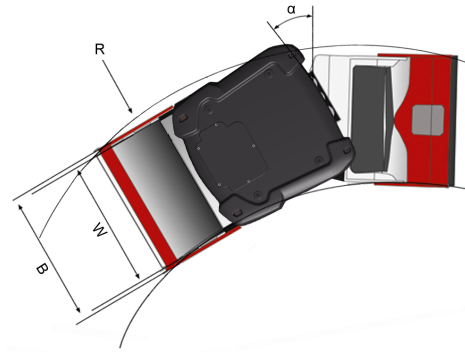
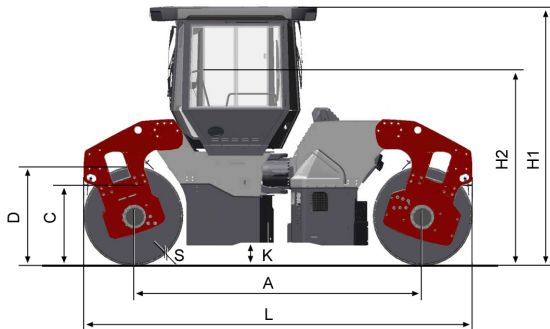
Manufacturer/Model	Cummins QSB4.5 IIIA/T3
Type	Water cooled turbo Diesel
Rated power, SAE J1995	113 kW (152 hp) @ 2 200 rpm
Fuel tank capacity	240 l

HYDRAULIC SYSTEM

Driving	Axial piston pump with variable displacement. Axial piston motors (2) with variable displacement.
Vibration	Axial piston pumps(2) with variable displacem. Axial piston motors(2) with const. displacem.
Steering	Gear pump with constant displacem.
Service brake	Hydrostatic in forward and reverse lever.
Parking/ Emergency brake	Failsafe multidisc brake in both drums.

Find us locally at www.dynapac.com

We reserve the right to change specifications without notice. Photos and illustrations do not always show standard versions of machines. The above information is a general description only, all information's are supplied without liability.



DIMENSIONS

DIMENSIONS

A. Wheelbase	3 690 mm
B. Width	2 290 mm
C. Curb clearance	865 mm
D. Drum diameter	1 300 mm
H1. Height, with ROPS/cab	2 990 mm
H2. Height, w/o ROPS/cab	2 275 mm
K. Ground clearance	310 mm
L. Length	4 990 mm
R. Turning radius, outside	6 160 mm
S. Drum shell thickness	18 mm
W. Drum width	2 130 mm
α. Steering angle	±32°

OPTIONAL EQUIPMENT

Air Conditioning

- The system contains fluorinated greenhouse gases.
- Coolant designation: HFC-134a
- Coolant weight when full: 1,35 kg
- CO₂-equivalent: 1,930 ton
- GWP: 1430

Machine data based on machine with cab, air condition and offset

- Please note unless otherwise stated all data is based on machine equipped with cab, air condition and offset

Find us locally at www.dynapac.com

We reserve the right to change specifications without notice. Photos and illustrations do not always show standard versions of machines. The above information is a general description only, all information's are supplied without liability.