



TECHNICAL DATA

MASSES

Max. operating mass	1665 kg
Operating mass (incl. ROPS)	1575 kg
Module mass (front/rear)	740 kg/835 kg

COMPACTION

Centrifugal force	17 kN
Nominal amplitude	0.4 mm
Static linear load (front/rear)	9.3/10.4 kg/cm
Vibration frequency	70 Hz
Water tank	110 l

TRACTION

Speed range	0 -9 km/h
Vertical oscillation	±13°

ENGINE

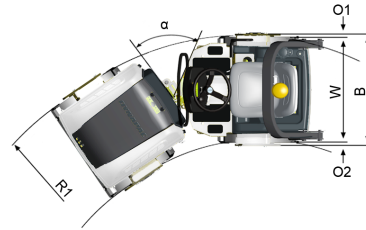
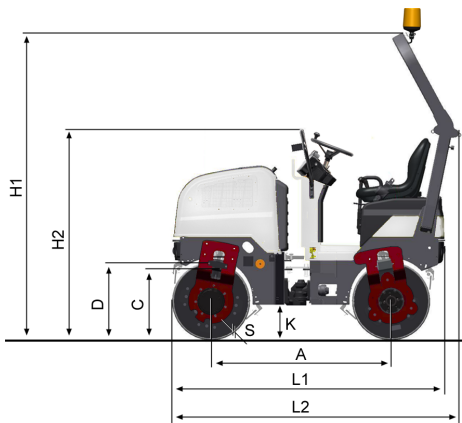
Model	D1105-E4B T4f/V
Manufacturer/Model	Kubota D1105-E4B T4f/V
Type	Water cooled diesel
Rated power, SAE J1995	18 kW (24 hp) @ 2800 rpm
Fuel tank capacity	23 l

HYDRAULIC SYSTEM

Driving	Axial piston pump with variable displacement and servo. 2 radial piston motors with constant displacement.
Vibration	Gear pump/motors with constant displacement.
Steering	Gear pump with constant displacement.
Service brake	Hydrostatic in forward and reverse lever.
Parking/ Emergency brake	Failsafe brake in both drums.

Find us locally at www.dynapac.com

We reserve the right to change specifications without notice. Photos and illustrations do not always show standard versions of machines. The above information is a general description only, all information's are supplied without liability.



TECHNICAL DATA

DIMENSIONS

A. Wheelbase	1350 mm
B. Width	870 mm
C. Curb clearance	455 mm
D. Drum diameter	588 mm
H1. Height, with ROPS/cab	2300 mm
H2. Height, w/o ROPS/cab	1585 mm
K. Ground clearance	250 mm
L1. Length	2040 mm
L2. Length (ROPS)	2095 mm
O1. Overhang, right	35 mm
O2. Overhang, left	35 mm
R1. Turning radius, outside	2650 mm
S. Drum shell thickness	14 mm
W. Drum width	800 mm
α. Steering angle	±34°

Find us locally at www.dynapac.com

We reserve the right to change specifications without notice. Photos and illustrations do not always show standard versions of machines. The above information is a general description only, all information's are supplied without liability.