



## TECHNICAL DATA

### MASSES

Max. operating mass	1705 kg
Operating mass (incl. ROPS)	1640 kg
Module mass (front/rear)	790 kg/850 kg

### COMPACTION

Nominal amplitude	0.35 mm
Static linear load (front/rear)	8.8/9.5 kg/cm
Vibration frequency	70 Hz
Water tank	190 l
Centrifugal force, front	11 kN
Centrifugal force, rear	17 kN

### TRACTION

Speed range (Dual/TC/AS)	0 -9 km/h
Vertical oscillation	±13°
Max. theoretical gradeability	50 %

### ENGINE

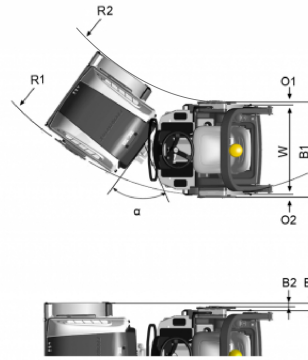
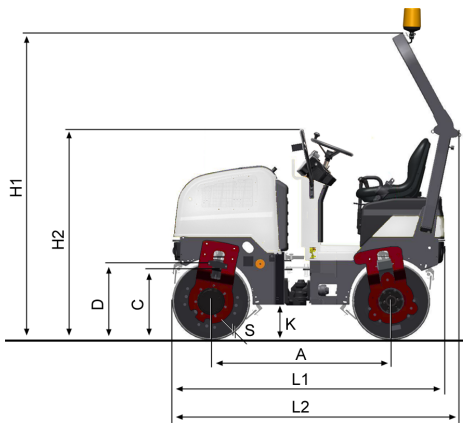
Manufacturer/Model	Kubota D1105-E4B T4f/V
Type	Water cooled diesel
Rated power, SAE J1995	18 kW (24 hp ) @ 2800 rpm
Fuel tank capacity	23 l

### HYDRAULIC SYSTEM

Driving	Axial piston pump with variable displacement and servo. 2 radial piston motors with constant displacement.
Vibration	Gear pump/motors with constant displacement.
Steering	Gear pump with constant displacem.
Service brake	Hydrostatic in forward and reverse lever.
Parking/ Emergency brake	Failsafe brake in both drums.

Find us locally at [www.dynapac.com](http://www.dynapac.com)

We reserve the right to change specifications without notice. Photos and illustrations do not always show standard versions of machines. The above information is a general description only, all information's are supplied without liability.



## TECHNICAL DATA

### DIMENSIONS

A. Wheelbase	1350 mm
B1. Width, front	970 mm
B2. Width, protrude	25 mm
B3. Width, offset	60 mm
C. Curb clearance	584 mm
D. Drum diameter	584 mm
H1. Height, with ROPS/cab	2500 mm
H2. Height, w/o ROPS/cab	1585 mm
K. Ground clearance	250 mm
L1. Length	2040 mm
L2. Length (ROPS)	2095 mm
O1. Overhang, right	35 mm
O2. Overhang, left	35 mm
R1. Turning radius, outside	2575 mm
R2. Turning radius, inside	2800 mm
S. Drum shell thickness	13 mm
W. Drum width	900 mm
α. Steering angle	±32°

Find us locally at [www.dynapac.com](http://www.dynapac.com)

We reserve the right to change specifications without notice. Photos and illustrations do not always show standard versions of machines. The above information is a general description only, all information's are supplied without liability.