



» ECO Mode

Big fuel saving with ECO

» STAGE V / TIER 4F

Any Dynapac product equipped with a Stage V engine, is not only compliant with the latest emission stage but is also contributing to great fuel cost savings.

TECHNICAL DATA

MASSES

Max. operating mass	10600 kg
Operating mass (incl. Cab)	8300 kg
Module mass (front/rear)	4150 kg/4150 kg

DIMENSIONS

Drum width	1500 mm
Drum diameter	1120 mm
Drum shell thickness	18 mm
Height, with ROPS	2990 mm

COMPACTION

Split drums	Yes
Centrifugal force (high/low amplitude)	80 kN/60 kN
Nominal amplitude (high/low)	0.6 mm/0.3 mm
Static linear load (front/rear)	27.7/27.7 kg/cm
Vibration frequency (high/low amplitude)	45 Hz/55 Hz
Water tank	770 l

TRACTION

Speed range	0-12 km/h
Vertical oscillation	±6°
Max. theoretical gradeability	41 %

ENGINE

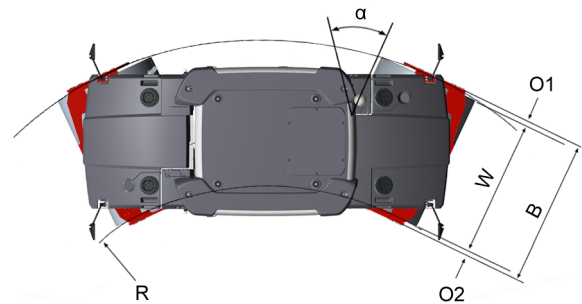
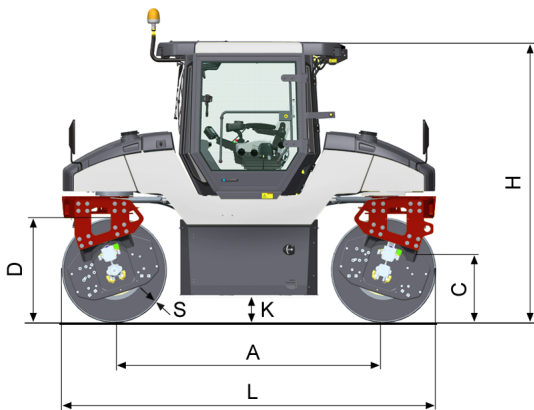
Manufacturer/Model	Deutz TD3.6 Stage V
Type	Water cooled turbo Diesel
Rated power, SAE J1995	55 kW (74 hp) @ 2200 rpm
Fuel tank capacity	115 l

HYDRAULIC SYSTEM

Driving	Axial piston pump with variable displacement Axial piston motors (4) with variable displacement Flow divider
Vibration	Axial piston pumps (2) with variable displacement Axial piston motors (2) with constant displacement
Steering	Load sensing system. Gear pump with constant displacement.
Service brake	Hydrostatic in forward and reverse lever.
Parking/ Emergency brake	Failsafe multidisc brake in both drums.

Find us locally at www.dynapac.com

We reserve the right to change specifications without notice. Photos and illustrations do not always show standard versions of machines. The above information is a general description only, all information's are supplied without liability.



DIMENSIONS

DIMENSIONS

A. Wheelbase	2870 mm
B. Width	1620 mm
C. Curb clearance	720 mm
D. Drum diameter	1120 mm
H. Height, with ROPS/cab	2990 mm
K. Ground clearance	270 mm
L. Length	3990 mm
O1. Overhang, right	60 mm
O2. Overhang, left	60 mm
R. Turning radius, inside	2.65 m
S. Drum shell thickness	18 mm
W. Drum width	1500 mm
α. Steering angle	±25°

OPTIONAL EQUIPMENT

Air Conditioning /Automatic Climate Control (ACC) (Optional)

- The system contains fluorinated greenhouse gases.
- Coolant designation: HFC-134a
- Coolant weight when full: 1,35 kg
- CO₂-equivalent: 1,930 ton
- GWP: 1430

Find us locally at www.dynapac.com

We reserve the right to change specifications without notice. Photos and illustrations do not always show standard versions of machines. The above information is a general description only, all information's are supplied without liability.