



TECHNICAL DATA

MASSES

Operating mass (incl. ROPS)	5550 kg
Operating mass (incl. Cab)	5850 kg
Mass with max. ballast	12100 kg

COMPACTION

Rolling width	2090 mm
Tyre overlap	48 mm
Wheel loads, without ballast	620 kg
Wheel loads, with max. ballast	1340 kg
Tyre pressure, min	240 kPa
Tyre pressure, max	600 kPa
Tyre type (smooth)	10.5-80, 14 ply
Water spray system, type	Pressurized, electric pump
Water spray system, tank capacity	350 l
Water spray system, spray nozzle	one per tyre
Number of tyres	5 front, 4 rear
Wheel oscillation (°)	±3

TRACTION

Transmission	Hydrostatic, direct drive motors at rear tyres
Max. theoretical gradeability	30 %
Speed range	0-16 km/h

ENGINE

Manufacturer/Model	Cummins QSF 2.8 (Stage IIIB/Tier 4final)
Rated power, SAE J1995	55 kW (74 hp) @ 2200 U/Min
Type	Water cooled turbo Diesel
Fuel tank capacity	130 l
Electrical system	12 V

ENGINE

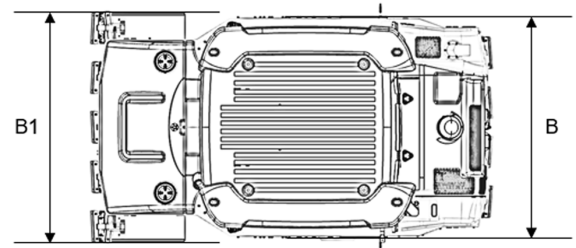
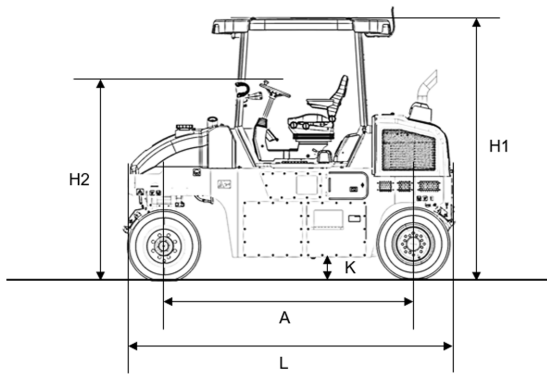
Manufacturer/Model	Cummins QSF 2.8 (Tier 3A)
Rated power, SAE J1995	55 kW (74 hp) @ 2200 rpm
Type	Water cooled turbo Diesel

HYDRAULIC SYSTEM

Driving	Axial piston pump with variable displacement. Axial piston motors with constant displacement.
Steering	Gear pump with constant displacement
Service brake	Hydrost. braking on drive wheels (rear)
Parking/ Emergency brake	Spring -applied on drive wheels (rear)

Find us locally at www.dynapac.com

We reserve the right to change specifications without notice. Photos and illustrations do not always show standard versions of machines. The above information is a general description only, all information's are supplied without liability.



TECHNICAL DATA

DIMENSIONS

A. Wheelbase	2760 mm
B. Width	1,990 mm
B1. Width	2,090 mm
H1. Height, with ROPS/cab	2950 mm
H2. Height, w/o ROPS/cab	2210 mm
K. Ground clearance	260 mm
L. Length	3660 mm
R. Turning radius, outside	7,090 mm

STANDARD EQUIPMENT

- Arm rest, Backup alarm
- Battery switch, Cocoa mats
- Documentation (Manuals -one set)
- Emergency stop, Fuel level display
- Horn, Hour meter, Hydraulic check points
- Hydraulic oil lever indicator, Interloc system
- Key master and start, Lifting and tiedown eyes
- Mirrors (process view), Mirrors (traffic view)
- Neutral start arrangement, Parking brake
- Pressurized sprinkler system, Rotating beacon
- Seat with suspension, Sliding and swiveling operator unit
- Speedometer, Sprinkler system, Sprinkler timer
- Standard Platform, Tachometer display
- Towing eyelet (rear), Warning – Air cleaner
- Warning – Brake, Warning – Clogged hydraulic oil filter
- Warning – Engine temperature
- Warning – Engine oil pressure
- Warning – Hydraulic fluid temperature
- Warning – Low charge, Warning – Low fuel level
- Working lights LED (front/rear)

OPTIONAL EQUIPMENT

- Flexible ballast option: 8 steel ballast (7,720 lb/front) or 12 steel ballast (11,690 lb/front & rear)
- Asphalt temperature meter
- Biologically degradable hydraulic oil
- Canopy or ROPS/FOPS or Cab incl. ACC
- Driving lights (RH or LH)
- Dyn@link, Dyn@link advanced
- Emulsion tank, Fire extinguisher
- First aid box, Heat covers for wheels
- Radio & MP3 player (Cab)
- Rotating beacon (LED)
- Rotating beacon (Ignition Control/LED)
- Seat belts 3" (ROPS or Cab)
- Seat luxury (ROPS or Cab)
- Single scrapers, Slow Moving Vehicle sign
- Spare tire, Sprinkler pump (back up)
- Tool set, Towing eyelet (front)
- Vandal cover (Canopy or ROPS/FOPS)
- Water tank lockable, Working lights (night LED)

Find us locally at www.dynapac.com

We reserve the right to change specifications without notice. Photos and illustrations do not always show standard versions of machines. The above information is a general description only, all information's are supplied without liability.