



## TECHNICAL DATA

### MASSES

Operating mass (incl. ROPS)	10400 kg
Mass with max. ballast	21000 kg
Mass with wet sand ballast	15200 kg

### COMPACTION

Rolling width	1800 mm
Tyre overlap	42 mm
Wheel loads, without ballast	1480 kg
Wheel loads, with wet sand ballast	2170 kg
Wheel loads, with max. ballast	3000 kg
Tyre pressure, min	250 kPa
Tyre pressure, max	850 kPa
Tyre type (smooth)	11.00 -20
Water spray system, type	Pressurized
Water spray system, tank capacity	415 l
Water spray system, spray nozzle	one per tyre
Ballast volume	2.4 m <sup>3</sup>

### TRACTION

Speed low	9 km/h
Speed high	23 km/h
Speed high (EEC countries)	20 km/h

### ENGINE

Manufacturer/Model	Cummins QSF 3.8 (Stage IV/Tier 4final)
Rated power, SAE J1995	89 kW (120 hp) @ 2200 rpm
Type	Water cooled turbo Diesel
Fuel tank capacity	210 l
Electrical system	24V

### ENGINE

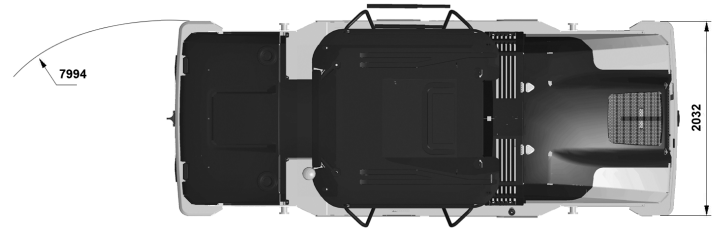
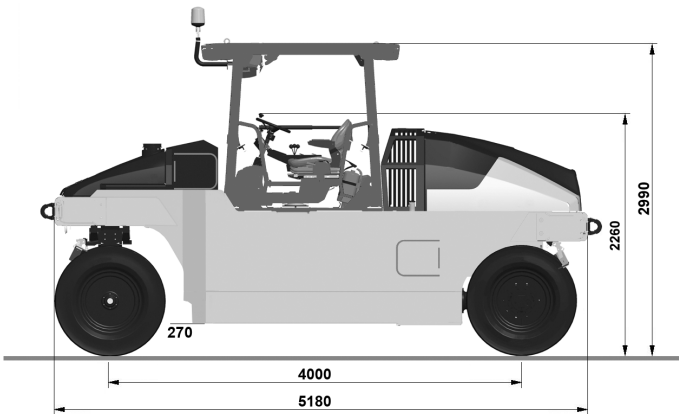
Manufacturer/Model	Cummins QSB3.3 (Stage IIIA/Tier 3)
Rated power, SAE J1995	74 kW (99 hp) @ 2200 rpm
Type	Water cooled turbo Diesel

### HYDRAULIC SYSTEM

Driving	Axial piston pump with variable displacement. Axial piston motors (2) with variable displacement.
Steering	Axial piston pump with variable displacement.
Service brake	2 multidisc brakes on rear wheels activated by pedal.
Parking/ Emergency brake	Failsafe multidisc brakes in both gear boxes.

Find us locally at [www.dynapac.com](http://www.dynapac.com)

We reserve the right to change specifications without notice. Photos and illustrations do not always show standard versions of machines. The above information is a general description only, all information's are supplied without liability.



## DIMENSIONS

### DIMENSIONS

H1. Height, max.	3353 mm
H2. Height, transport	2990 mm
K. Ground clearance	250 mm

### STANDARD EQUIPMENT

- AWC, Battery switch, Back up alarm, Back up camera, Cocoa mats
  - Documentation (Manuals -one set)
  - Drainage for water ballast, Emergency stop, Engine temperature display
  - Fuel level display, Horn, Hour meter, Hydraulic checkpoints, Hydraulic fluid temperature display, Hydrostatic drive with 2 motors
  - Interloc system, Key master and start, Lifting and tiedown eyes, Mirrors (traffic view)
  - Multi-disc brakes for parking and dynamic service brake
  - Parking brake, Rotating beacon, Redundant brake system
  - ROPS/FOPS (4 post with roof and 3" seat belt)
  - Sliding and swiveling operator unit, Steel ballast front (2,540 lbs) - CP2700 only
  - Sprinkler and scraper system, Sprinkler pump (back up), Sprinkler timer, Tachometer display, Tilt steering wheel
  - Vandal cover(Canopy or ROPS/FOPS), Water level gauge
  - Water tank covers(lockable), Working lights(front/rear)
  - Warning – Air cleaner, Brake, Clogged hydraulic oil filter, Engine oil pressure, Engine temperature, Hydraulic fluid temperature, Low charge, Low fuel level
  - Voltage meter display.
- INCLUDED IN COMFORT CAB:**
- Air conditioning(ACC)
  - Air filtering system, Fan -fresh air(3-speed), Heater, Interior light
  - Radio & MP3 player, Rear view mirrors(external), Rear view mirror (internal)
  - Safety glass(tinted), Seat belt 3", Seat -luxury for cab with suspension
  - Side windows(openable), Wiper with washer(front/rear)

### OPTIONAL EQUIPMENT

- Steel ballast front (7,720 lb)
- Steel ballast front + rear (14,550 lb)
- Air On the Run system
- Asphalt temperature meter
- Biodegradable hydraulic fluid
- Canopy or ROPS/FOPS or Cab
- Driving lights (RH or LH)
- Dyn@link, Dyn@link advanced
- Fire extinguisher, First aid box
- Heat covers for wheels
- Licence plate holder with light
- Mirrors (process view)
- Slow Moving Vehicle sign
- Tool set, Towing eyelets front & rear

Find us locally at [www.dynapac.com](http://www.dynapac.com)

We reserve the right to change specifications without notice. Photos and illustrations do not always show standard versions of machines. The above information is a general description only, all information's are supplied without liability.