



TECHNICAL DATA

MASSES

| | |
|-----------------------------|-----------|
| Operating mass (incl. ROPS) | 10,400 kg |
| Mass with max. ballast | 21,000 kg |
| Mass with wet sand ballast | 15,200 kg |

COMPACTION

| | |
|------------------------------------|--------------------|
| Rolling width | 2,265 mm |
| Tyre overlap | 42 mm |
| Wheel loads, without ballast | 1,480 kg |
| Wheel loads, with wet sand ballast | 2,170 kg |
| Wheel loads, with max. ballast | 3,000 kg |
| Tyre pressure, min | 250 kPa |
| Tyre pressure, max | 850 kPa |
| Tyre type (smooth) | 14/70 R20 |
| Water spray system, type | Pressurized |
| Water spray system, tank capacity | 415 l |
| Water spray system, spray nozzle | one per tyre |
| Ballast volume | 2.4 m ³ |

TRACTION

| | |
|----------------------------|---------|
| Speed low | 9 km/h |
| Speed high | 23 km/h |
| Speed high (EEC countries) | 20 km/h |

ENGINE

| | |
|------------------------|--|
| Manufacturer/Model | Cummins QSF 3.8 (Stage IV/Tier 4final) |
| Rated power, SAE J1995 | 89 kW (120 hp) @ 2,200 rpm |
| Type | Water cooled turbo Diesel |
| Fuel tank capacity | 210 l |
| Electrical system | 24V |

ENGINE

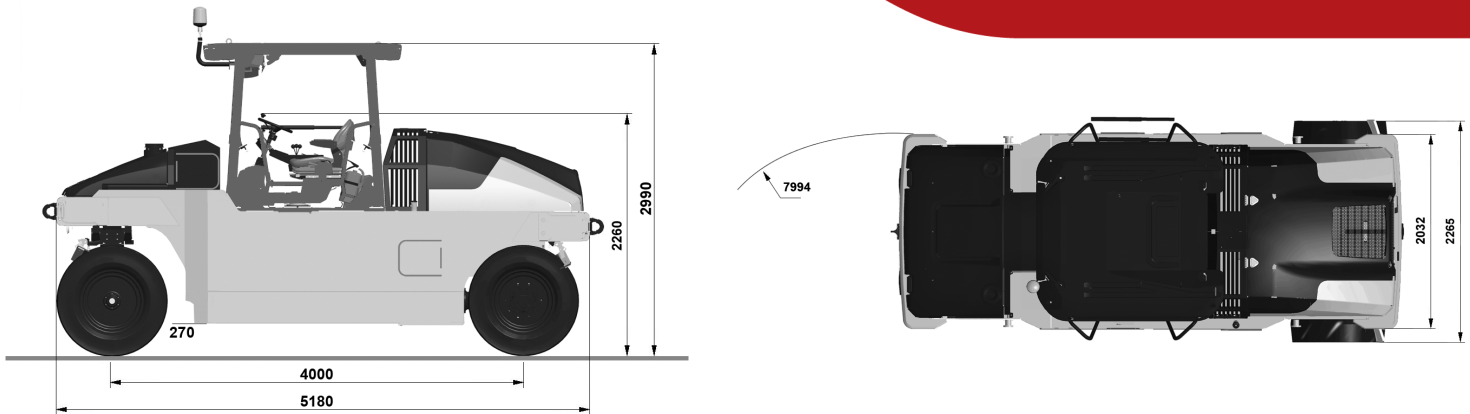
| | |
|------------------------|------------------------------------|
| Manufacturer/Model | Cummins QSB3.3 (Stage IIIA/Tier 3) |
| Rated power, SAE J1995 | 74 kW (99 hp) @ 2,200 rpm |
| Type | Water cooled turbo Diesel |

HYDRAULIC SYSTEM

| | |
|--------------------------------|--|
| Driving | Axial piston pump with variable displacement. Axial piston motors (2) with variable displacement. |
| Steering | Axial piston pump with variable displacement. |
| Service brake | 2 multidisc brakes on rear wheels activated by pedal. |
| Parking/ Emergency brake | Failsafe multidisc brakes in both gear boxes. |

Find us locally at www.dynapac.com

We reserve the right to change specifications without notice. Photos and illustrations do not always show standard versions of machines. The above information is a general description only, all information's are supplied without liability.



TECHNICAL DATA

DIMENSIONS

| | |
|-----------------------|---------|
| H1. Height, max. | 3353 mm |
| H2. Height, transport | 2990 mm |
| K. Ground clearance | 250 mm |

STANDARD EQUIPMENT

- AWC, Battery switch, Back up alarm
- Back up camera, Cocoa mats
- Documentation (Manuals -one set)
- Drainage for water ballast, Emergency stop, Engine temperature display
- Fuel level display, Horn, Hour meter, Hydraulic checkpoints
- Hydraulic fluid temperature display
- Hydrostatic drive with 2 motors
- Interloc system, Key master and start
- Lifting and tiedown eyes
- Mirrors (traffic view)
- Multi-disc brakes for parking and dynamic service brake
- Parking brake, Rotating beacon
- Redundant brake system
- ROPS/FOPS (4 post with roof and 3" seat belt)
- Sliding and swiveling operator unit
- Steel ballast front (2,540 lbs) -CP2700 only
- Sprinkler and scraper system, Sprinkler pump (back up)
- Sprinkler timer, Tachometer display, Tilt steering wheel
- Vandal cover (Canopy or ROPS/FOPS), Water level gauge
- Water tank covers (lockable), Working lights (front/rear)
- Warning – Air cleaner, Warning – Brake
- Warning – Clogged hydraulic oil filter
- Warning – Engine oil pressure, Warning – Engine temperature
- Warning – Hydraulic fluid temperature, Warning – Low charge
- Warning – Low fuel level
- Voltage meter display. INCLUDED IN COMFORT CAB: Air conditioning (ACC)
- Air filtering system, Fan -fresh air (3-speed), Heater, Interior light
- Radio & MP3 player, Rear view mirrors (external), Rear view mirror (internal)
- Safety glass (tinted), Seat belt 3", Seat -luxury for cab with suspension
- Side windows (openable), Wiper with washer (front/rear)

OPTIONAL EQUIPMENT

- Steel ballast front (7,720 lb)
- Steel ballast front + rear (14,550 lb)
- Air On the Run system
- Asphalt temperature meter
- Biodegradable hydraulic fluid
- Canopy or ROPS/FOPS or Cab
- Driving lights (RH or LH)
- Dyn@link, Dyn@link advanced
- Fire extinguisher, First aid box
- Heat covers for wheels
- Licence plate holder with light
- Mirrors (process view)
- Slow Moving Vehicle sign
- Tool set, Towing eyelets front & rear

Find us locally at www.dynapac.com

We reserve the right to change specifications without notice. Photos and illustrations do not always show standard versions of machines. The above information is a general description only, all information's are supplied without liability.