



## TECHNICAL DATA

### MASSES

Mass with wet sand ballast 19500 kg

### COMPACTION

Rolling width 2300 mm  
 Tyre overlap 42 mm  
 Wheel loads, without ballast 1361 kg  
 Wheel loads, with wet sand ballast 2150 kg  
 Wheel loads, with max. ballast 3000 kg  
 Tyre pressure (min/max) 250 /850 kPa  
 Tyre type (smooth) 11.00 -20  
 Water spray system, type Pressurized  
 Water spray system, tank capacity 415 l  
 Water spray system, spray nozzle one per tyre  
 Ballast volume 3 m<sup>3</sup>

### TRACTION

Speed high 20 km/h

### ENGINE

Manufacturer/Model Cummins QSF 3.8 (Stage IV/Tier 4final)  
 Rated power, SAE J1995 89 kW (120 hp) @ 2200 rpm  
 Type Water cooled turbo Diesel  
 Electrical system 24 V  
 Fuel tank capacity 210 l

### ENGINE

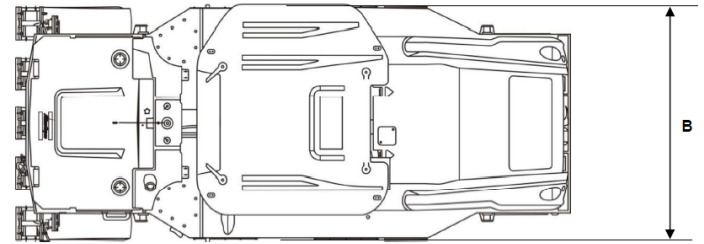
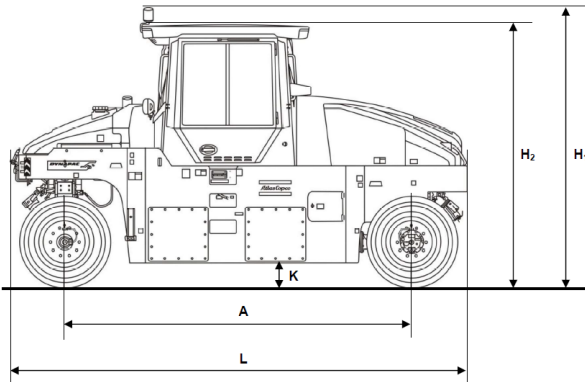
Manufacturer/Model Cummins QSB 4.5 (Stage IIIA/Tier 3)  
 Rated power, SAE J1995 82 kW (110 hp) @ 2200 rpm  
 Type Water cooled turbo Diesel

### HYDRAULIC SYSTEM

Driving Axial piston pump with variable displacement.  
 Axial piston motors (2) with variable displacement.  
 Steering Axial piston pump with variable displacement.  
 Service brake 2 multidisc brakes on rear wheels activated by pedal.  
 Parking/  
 Emergency brake Failsafe multidisc brakes in both gear boxes.

Find us locally at [www.dynapac.com](http://www.dynapac.com)

We reserve the right to change specifications without notice. Photos and illustrations do not always show standard versions of machines. The above information is a general description only, all information's are supplied without liability.



## TECHNICAL DATA

### DIMENSIONS

A. Wheelbase	4300 mm
B. Width	2360 mm
H1. Height, max.	3353 mm
H2. Height, transport	2990 mm
K. Ground clearance	250 mm
L. Length	5490 mm
R. Turning radius, outside	9046 mm

### STANDARD EQUIPMENT

- AWC, Battery switch, Back up alarm
- Back up camera, Cocoa mats
- Documentation (Manuals -one set)
- Drainage for water ballast, Emergency stop, Engine temperature display
- Fuel level display, Horn, Hour meter, Hydraulic checkpoints
- Hydraulic fluid temperature display
- Hydrostatic drive with 2 motors
- Interloc system, Key master and start
- Lifting and tiedown eyes
- Mirrors (traffic view)
- Multi-disc brakes for parking and dynamic service brake
- Parking brake, Rotating beacon
- Redundant brake system
- ROPS/FOPS (4 post with roof and 3" seat belt)
- Sliding and swiveling operator unit
- Steel ballast front (2,540 lbs) -CP2700 only
- Sprinkler and scraper system, Sprinkler pump (back up)
- Sprinkler timer, Tachometer display, Tilt steering wheel
- Vandal cover (Canopy or ROPS/FOPS), Water level gauge
- Water tank covers (lockable), Working lights (front/rear)
- Warning – Air cleaner, Warning – Brake
- Warning – Clogged hydraulic oil filter
- Warning – Engine oil pressure, Warning – Engine temperature
- Warning – Hydraulic fluid temperature, Warning – Low charge
- Warning – Low fuel level
- Voltage meter display. INCLUDED IN COMFORT CAB: Air conditioning (ACC)
- Air filtering system, Fan -fresh air (3-speed), Heater, Interior light
- Radio & MP3 player, Rear view mirrors (external), Rear view mirror (internal)
- Safety glass (tinted), Seat belt 3", Seat -luxury for cab with suspension
- Side windows (openable), Wiper with washer (front/rear)

### OPTIONAL EQUIPMENT

- Steel ballast front (8,820 lb)
- Steel ballast front + rear (17,640 lb)
- Air On the Run system
- Asphalt temperature meter
- Biodegradable hydraulic fluid
- Canopy or ROPS/FOPS or Cab
- Driving lights (RH or LH)
- Dyn@link, Dyn@link advanced
- Fire extinguisher, First aid box
- Heat covers for wheels
- Licence plate holder with light
- Mirrors (process view)
- Slow Moving Vehicle sign
- Tool set, Towing eyelets front & rear

Find us locally at [www.dynapac.com](http://www.dynapac.com)

We reserve the right to change specifications without notice. Photos and illustrations do not always show standard versions of machines. The above information is a general description only, all information's are supplied without liability.