



- Operator station -slidable & full rotation
- Touch screen display -moves with the seat
- 4-3-2 full back-up water sprinkler system
- Up to 1200 mm drum offset



TECHNICAL DATA

MASSES

Max. operating mass	10800 kg
Operating mass (CECE)	8300 kg
Module mass (front/rear)	4150 kg/4150 kg

COMPACTION

Split drums	Yes
Centrifugal force (high/low amplitude)	74 kN/54 kN
Nominal amplitude (high/low)	0.6 mm/0.3 mm
Static linear load (front/rear)	27.7/27.7 kg/cm
Vibration frequency (high/low amplitude)	44 Hz/53 Hz
Water tank volume	770 l

TRACTION

Speed range	0-12 km/h
Vertical oscillation	±6°
Max. theoretical gradeability	41 %

ENGINE

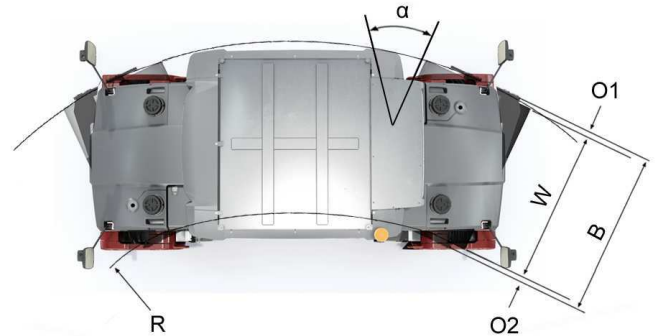
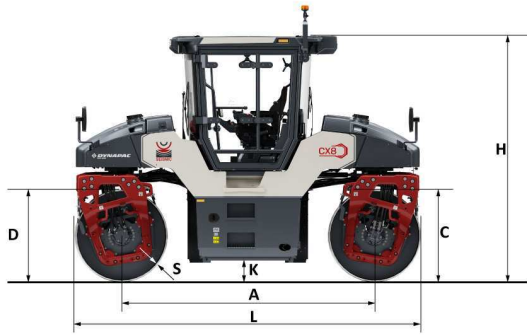
Manufacturer/Model	Deutz TD 3.6 Stage V/T4f
Type	Water cooled turbo diesel
Rated power, SAE J1995	55 kW (74.0 hp) @ 2200 rpm
Fuel tank capacity	105 l

HYDRAULIC SYSTEM

Driving	Axial piston pump with variable displacem. Rad. piston motors(4) with variable displacem. Flow divider
Vibration	Axial piston pumps (2) with variable displacement Axial piston motors (2) with constant displacement
Steering	Load sensing system. Gear pump with constant displacement.
Service brake	Hydrostatic in forward and reverse lever.
Parking/ Emergency brake	Failsafe multidisc brake in both drums.

Find us locally at www.dynapac.com

We reserve the right to change specifications without notice. Photos and illustrations do not always show standard versions of machines. The above information is a general description only, all information's are supplied without liability.



DIMENSIONS

DIMENSIONS

A. Wheelbase	2870 mm
B. Width	1620 mm
C. Curb clearance	580 mm
D. Drum diameter	1120 mm
H. Height, with ROPS/cab	2990 mm
K. Ground clearance	270 mm
L. Length	3990 mm
O. Off-set	1200 mm
O1. Overhang, right	85 mm
O2. Overhang, left	85 mm
R. Turning radius, inside	2650 mm
S. Drum shell thickness	17 mm
W. Drum width	1500 mm
α. Steering angle	Each drum ±25°

OPTIONAL EQUIPMENT

Air Conditioning /Automatic Climate Control (ACC) (Optional)

- The system contains fluorinated greenhouse gases.
- Coolant designation: HFC-134a
- Coolant weight when full: 1,35 kg
- CO₂-equivalent: 1,930 ton
- GWP: 1430

Find us locally at www.dynapac.com

We reserve the right to change specifications without notice. Photos and illustrations do not always show standard versions of machines. The above information is a general description only, all information's are supplied without liability.