



## TECHNICAL DATA

### MASSES

Operating mass	52 kg
Basic mass	52 kg

### COMPACTION

Frequency	112 Hz
Centrifugal force	9 kN

### TRACTION

Max. working speed	25 m/min
--------------------	----------

### BATTERY

Charge time	up to 2 hr
Run time	up to 60 mins

### DRIVE SYSTEM

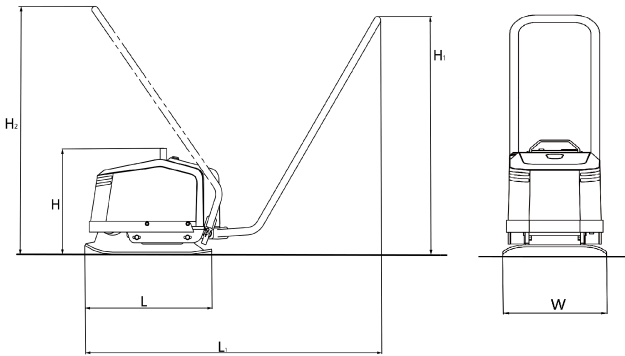
Drive system	Mechanical
--------------	------------

Find us locally at [www.dynapac.com](http://www.dynapac.com)

We reserve the right to change specifications without notice. Photos and illustrations do not always show standard versions of machines. The above information is a general description only, all informations are supplied without liability.



## DIMENSIONS



### DIMENSIONS

H. Height	390 mm
H1. Height	850 mm
H2. Height	840 mm
L. Length	500 mm
L1. Length	1050 mm
W. Basic plate width	300 mm

### STANDARD FEATURES

- Effort free start/stop system
- Foldable steering handle
- Highly wear resistant base plate
- Protection cover for power pack
- Lifting handle
- One point lift

### OPTIONAL EQUIPMENT

- Li-ion Battery(1000 Wh)
- Charger (24V) with bag
- Block paving mat

Find us locally at [www.dynapac.com](http://www.dynapac.com)

We reserve the right to change specifications without notice. Photos and illustrations do not always show standard versions of machines. The above information is a general description only, all informations are supplied without liability.