



TECHNICAL DATA

MASSES

Operating mass	65 kg
Basic mass	64 kg

COMPACTION

Frequency	90 Hz
Centrifugal force	10 kN
Amplitude	1.01 mm
Water tank volume	13.5 l

TRACTION

Max. gradeability	30 %
Max. working speed	25 m/min

ENGINE

Manufacturer/Model	Honda GX 120
Emissions according to	Stage V /CARB Phase III
Type	Air cooled gasoline
Number of cylinders	1
Fuel consumption /h, avg.	0.9 l
Fuel tank capacity	2 l
Power	2.6 kW at 3600 rpm

DRIVE SYSTEM

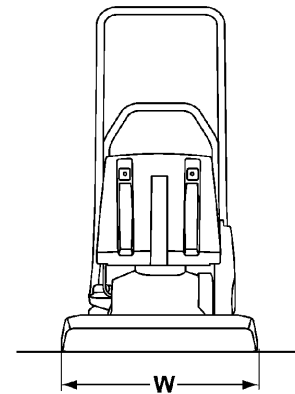
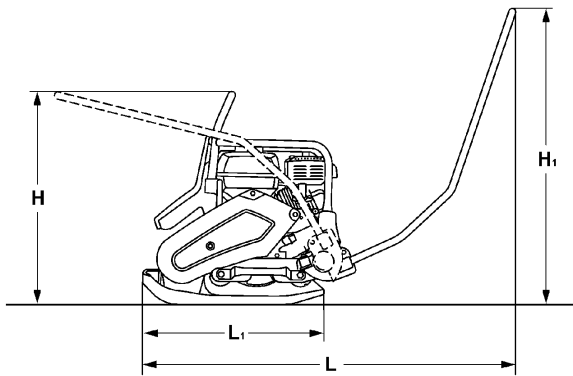
Drive system	Mechanical
--------------	------------

Find us locally at www.dynapac.com

We reserve the right to change specifications without notice. Photos and illustrations do not always show standard versions of machines. The above information is a general description only, all informations are supplied without liability.



DIMENSIONS



DIMENSIONS

H. Height	658 mm
H1. Height	962 mm
H2. Height	700 mm
L. Length	1084 mm
L1. Length	532 mm
W. Basic plate width	350 mm

STANDARD FEATURES

- Foldable steering handle with vibration isolation
- Highly wear resistant base plate
- Automatic shutdown at low oil level
- All around protection for V-belt
- Protection frame for powerpack
- Recoil starter
- Carrying handles
- One point lift

OPTIONAL EQUIPMENT

- Water sprinkler system 13,5l (+10kg)
- Comfort handle
- Puncture proof transport wheels (+4kg)
- Block paving mat
- Service Kit

Find us locally at www.dynapac.com

We reserve the right to change specifications without notice. Photos and illustrations do not always show standard versions of machines. The above information is a general description only, all informations are supplied without liability.