



## TECHNICAL DATA

### MASSES

Basic mass (without battery)	96 Kg
Operating mass	102 kg

### COMPACTION

Frequency	90 Hz
Centrifugal force	15 kN

### TRACTION

Max. working speed	25 m/min
--------------------	----------

### DRIVE SYSTEM

Drive system	Mechanical
--------------	------------

### ELECTRICAL SYSTEM

Battery type	Lithium-ion
Nominal battery voltage	72 V
Battery capacity (gross)	720 Wh

### ELECTRICAL MOTOR

Motor type	Honda eGX
Motor power	1.8 kW

### BATTERY

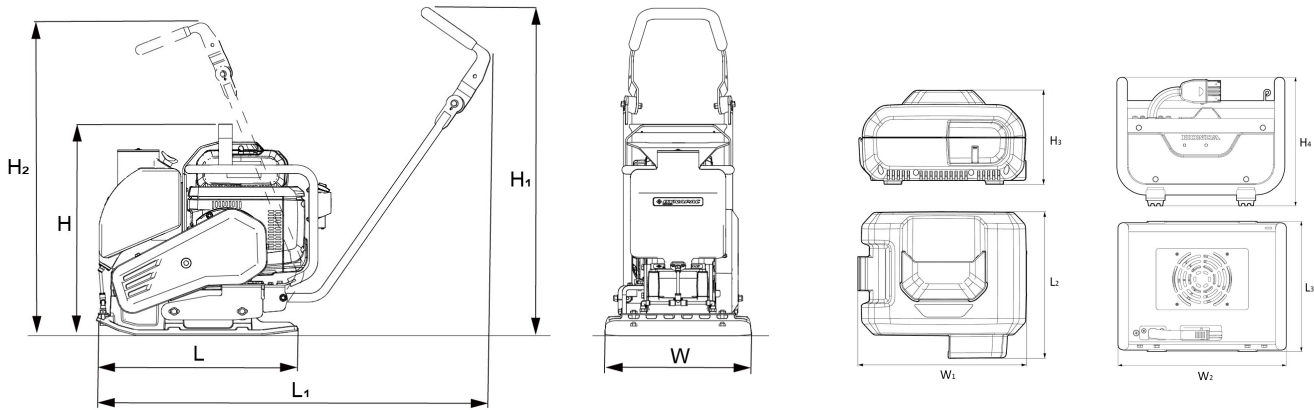
Charge time	up to 1 hr
Run time	up to 35 mins

Find us locally at [www.dynapac.com](http://www.dynapac.com)

We reserve the right to change specifications without notice. Photos and illustrations do not always show standard versions of machines. The above information is a general description only, all informations are supplied without liability.



## DIMENSIONS



### DIMENSIONS

H. Height	620 mm
H1. Height, standard handle	945 mm
L1. Length, standard handle	970 mm
H1. Height, comfort handle	990 mm
L1. Length, comfort handle	1070 mm
L. Length	610 mm
W. Basic plate width	500 mm
H2. Height, comfort handle (transport mode)	980 mm
H2. Height, standard handle (transport mode)	980 mm
W1. Battery width	268 mm
L2. Battery length	233 mm
H3. Battery height	150 mm
W2. Charger width	352 mm
L3. Charger length	272 mm
H4. Charger height	270 mm

### STANDARD EQUIPMENT OPTIONAL EQUIPMENT

- |   |   |
|---|---|
| <ul style="list-style-type: none"> <li>■ Effort free start/stop system</li> <li>■ Comfort handle for low HAV</li> <li>■ Highly wear resistant base plate</li> <li>■ Brushless electric motor</li> <li>■ Protection frame for powerpack</li> <li>■ One point lift</li> </ul> | <ul style="list-style-type: none"> <li>■ Removable Li-ion battery(720 Wh)</li> <li>■ Charger(82.8 V)</li> <li>■ Water sprinkler system 11l (+5kg)</li> <li>■ Block paving mat (+4.5kg)</li> </ul> |
|---|---|

Find us locally at [www.dynapac.com](http://www.dynapac.com)

We reserve the right to change specifications without notice. Photos and illustrations do not always show standard versions of machines. The above information is a general description only, all informations are supplied without liability.