



## TECHNICAL DATA

### MASSES

Basic mass	147 kg
Operating mass	150 kg

### DIMENSIONS

Plate length	650 mm
Plate width	400 mm

### COMPACTION

Amplitude	1.55 mm
Centrifugal force	25 kN
Frequency	85 Hz
Water tank volume	12 l

### TRACTION

Max. gradeability	30 %
Max. working speed	25 m/min

### ENGINE

Manufacturer/Model	Hatz 1B20
Emissions according to	EU Stage V /non US EPA
Number of cylinders	1
Fuel consumption /h, avg.	0.7 l
Fuel tank capacity	3 l
Power	3.1 kW @ 3000 rpm

### DRIVE SYSTEM

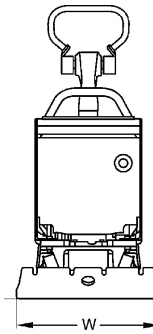
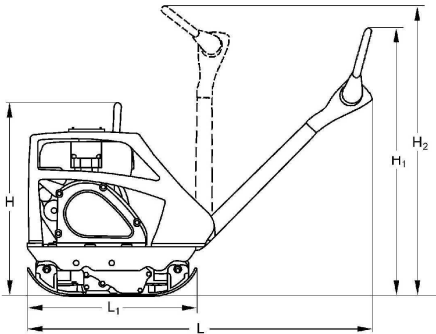
Drive system	Mechanical
--------------	------------

Find us locally at [www.dynapac.com](http://www.dynapac.com)

We reserve the right to change specifications without notice. Photos and illustrations do not always show standard versions of machines. The above information is a general description only, all informations are supplied without liability.



## DIMENSIONS



### DIMENSIONS

H. Height	740 mm
H1. Height	930 mm
H2. Height	1080 mm
L. Length	1460 mm
L1. Length	650 mm
W. Basic plate width	400 mm

### STANDARD FEATURES

- Control handle with vibration isolation
- Height adjustable control lever
- Control lever lock in transport and working position
- Reverse drive protection
- Highly wear resistant base plate
- All around protection hood
- All around protection for V-belt
- One point lift
- Automatic decompression
- Recoil starter

### OPTIONAL EQUIPMENT

- Block paving mat
- Puncture proof transport wheels (+4kg)
- Water sprinkler system 12l (+13kg)
- Service Kit

Find us locally at [www.dynapac.com](http://www.dynapac.com)

We reserve the right to change specifications without notice. Photos and illustrations do not always show standard versions of machines. The above information is a general description only, all informations are supplied without liability.