



TECHNICAL DATA

MASSES

Basic mass	202 kg
Operating mass	205 kg

COMPACTION

Amplitude	1.3 mm
Centrifugal force	35 kN
Frequency	80 Hz

TRACTION

Max. gradeability	32 %
Max. working speed	27 m/min

ENGINE

Manufacturer/Model	Honda GX 160
Emissions according to	EU Stage V /CARB Phase III
Type	Air cooled gasoline
Number of cylinders	1
Fuel consumption /h, avg.	1.1 l
Fuel tank capacity	3.10 l
Power	3.6 kW @ 3600 rpm

DRIVE SYSTEM

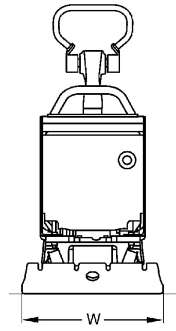
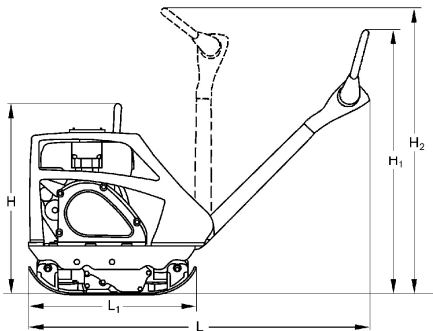
Drive system	Mechanical
--------------	------------

Find us locally at www.dynapac.com

We reserve the right to change specifications without notice. Photos and illustrations do not always show standard versions of machines. The above information is a general description only, all informations are supplied without liability.



DIMENSIONS



DIMENSIONS

H. Height	660 mm
H1. Height	1020 mm
H2. Height	1150 mm
L. Length	1405 mm
L1. Length	762 mm
W. Basic plate width	600 mm

STANDARD FEATURES

- Control handle with vibration isolation
- Height adjustable control lever
- Control lever lock in transport and working position
- Reverse drive protection
- Highly wear resistant base plate
- All around protection hood
- All around protection for V-belt
- Automatic shutdown at low oil level
- One point lift
- Recoil starter
- Hour meter

OPTIONAL EQUIPMENT

- Block paving mat
- Puncture proof transport wheels (+5kg)
- Service Kit

Find us locally at www.dynapac.com

We reserve the right to change specifications without notice. Photos and illustrations do not always show standard versions of machines. The above information is a general description only, all informations are supplied without liability.