



## TECHNICAL DATA

### MASSES

Basic mass	207 kg
Operating mass	210 kg

### DIMENSIONS

Plate length	760 mm
Plate width	420 mm

### COMPACTION

Amplitude	1.3 mm
Centrifugal force	35 kN
Frequency	80 Hz

### TRACTION

Max. gradeability	32 %
Max. working speed	27 m/min

### ENGINE

Manufacturer/Model	Hatz 1B20
Emissions according to	EU Stage V /non US EPA
Type	Air cooled, diesel
Number of cylinders	1
Fuel consumption /h, avg.	0.7 l
Fuel tank capacity	3 l
Power	3.1 kW @ 3000 rpm

### DRIVE SYSTEM

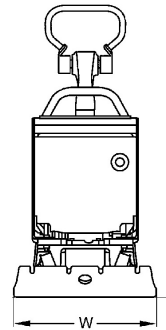
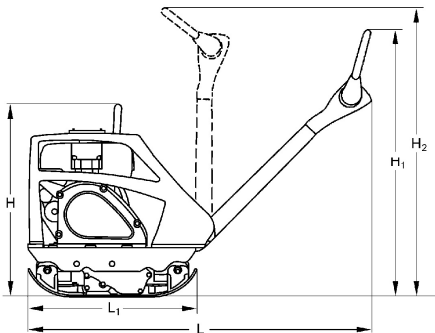
Drive system	Mechanical
--------------	------------

Find us locally at [www.dynapac.com](http://www.dynapac.com)

We reserve the right to change specifications without notice. Photos and illustrations do not always show standard versions of machines. The above information is a general description only, all informations are supplied without liability.



## DIMENSIONS



### DIMENSIONS

H. Height	720 mm
H1. Height	1020 mm
H2. Height	1150 mm
L. Length	1405 mm
L1. Length	762 mm
W. Basic plate width	420 mm

### STANDARD FEATURES

- Control handle with vibration isolation
- Height adjustable control handle
- Control handle lock in transport and working position
- Reverse drive protection
- Highly wear resistant base plate
- All around protection hood
- All around protection for V-belt
- One point lift
- Automatic decompression
- Recoil starter

### OPTIONAL EQUIPMENT

- Block paving mat
- Puncture proof transport wheels (+5kg)
- Service Kit

Find us locally at [www.dynapac.com](http://www.dynapac.com)

We reserve the right to change specifications without notice. Photos and illustrations do not always show standard versions of machines. The above information is a general description only, all informations are supplied without liability.