



## TECHNICAL DATA

### MASSES

Basic mass	455 kg
Operating mass (W)	460 kg
Operating mass (W1)	440 kg
Operating mass (W2)	453 kg
Operating mass (W3)	471 kg

### COMPACTION

Amplitude	1.96 mm
Centrifugal force	60 kN
Frequency	66 Hz

### TRACTION

Max. gradeability	35 %
Max. working speed	28 m/min

### ENGINE

Manufacturer/Model	Hatz 1B 40
Emissions according to	EU Stage V
Type	Air cooled diesel
Number of cylinders	1
Fuel consumption /h, avg.	1.5 l
Fuel tank capacity	5 l
Power	6.7 kW @ 3000 rpm

### DRIVE SYSTEM

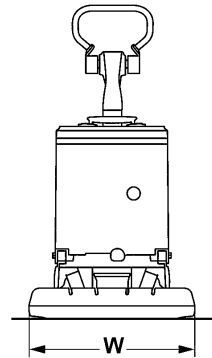
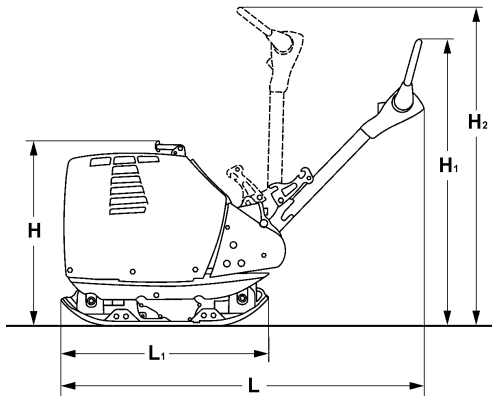
Drive system	Mechanical
--------------	------------

Find us locally at [www.dynapac.com](http://www.dynapac.com)

We reserve the right to change specifications without notice. Photos and illustrations do not always show standard versions of machines. The above information is a general description only, all informations are supplied without liability.



## DIMENSIONS



### DIMENSIONS

H. Height	790 mm
H1. Height	980 mm
H2. Height	1380 mm
L. Length	1700 mm
L1. Length	900 mm
W. Basic plate width	650 mm (100 + 450 + 100)
W1. Plate width, without extensions	450 mm
W2. Plate width, with extensions	550 mm (50 + 450 + 50)
W3. Plate width, with extensions	750 mm (150 + 450 + 150)

### STANDARD FEATURES

- Control handle -comfort -with vibration isolation
- Height adjustable control lever
- Control lever lock in transport and working position
- Reverse drive protection
- Highly wear resistant base plate
- All around protection hood
- All around protection for V-belt
- Automatic decompression
- One point lift
- Recoil starter
- Electric starter
- Hour meter

### OPTIONAL EQUIPMENT

- Block paving mat
- Extension plate
- Service Kit

Find us locally at [www.dynapac.com](http://www.dynapac.com)

We reserve the right to change specifications without notice. Photos and illustrations do not always show standard versions of machines. The above information is a general description only, all informations are supplied without liability.