



LONGEVITY

- Wear resistance characteristics of HARDOX maximizes the life-time of the base-plate.
- Open-style construction of the base-plate prevents the stones from getting stuck, thus reducing the wear & tear.

DURABILITY

- Robust all-around protection cage with solid one-point lift.

COMFORT

- Low levels of hand arm vibration is made possible by the vibration damping solution.

PRACTICAL

- Easy-open flaps to access daily check points like fuel tank cap, filter.

TECHNICAL DATA

MASSES

Basic mass	280 kg
Operating mass	282 kg

COMPACTION

Amplitude	1.8mm
Centrifugal force	40 kN
Frequency	78Hz

TRACTION

Max. gradeability	20 %
Max. working speed	25 m/min

ENGINE

Manufacturer/Model	Honda GX270
Emissions according to	StageV & US EPA
Type	Air cooled,Petrol
Number of cylinders	1
Fuel consumption /h, avg.	1.70 l
Fuel tank capacity	5.30 l
Power	6.3Kw

DRIVE SYSTEM

Drive system	Mechanical
--------------	------------

Find us locally at www.dynapac.com

We reserve the right to change specifications without notice. Photos and illustrations do not always show standard versions of machines. The above information is a general description only, all informations are supplied without liability.



LONGEVITY

- Wear resistance characteristics of HARDOX maximizes the life-time of the base-plate.
- Open-style construction of the base-plate prevents the stones from getting stuck, thus reducing the wear & tear.

DURABILITY

- Robust all-around protection cage with solid one-point lift.

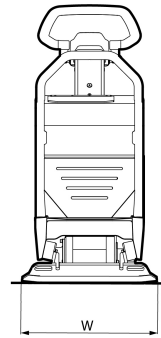
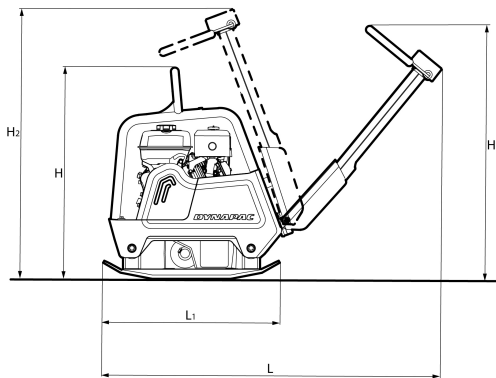
COMFORT

- Low levels of hand arm vibration is made possible by the vibration damping solution.

PRACTICAL

- Easy-open flaps to access daily check points like fuel tank cap, filter.

DIMENSIONS



DIMENSIONS

H. Height	935 mm
H1. Height	1110 mm
H2. Height	1200 mm
L. Length	1540 mm
L1. Length	785 mm
W. Basic plate width	550 mm

STANDARD FEATURES

- Comfort control handle with vibration isolation
- Height adjustable control lever
- Control lever lock in transport position
- Reverse drive protection
- Highly wear resistant hardox base plate
- Protection hood
- All around protection for V-belt
- One point lift
- Recoil starter

OPTIONAL EQUIPMENT

- Block paving mat
- Service Kit

Find us locally at www.dynapac.com

We reserve the right to change specifications without notice. Photos and illustrations do not always show standard versions of machines. The above information is a general description only, all informations are supplied without liability.