



TECHNICAL DATA

MASSES

Weight 21.5 t

DIMENSIONS

Basic width 2.55 m

Working width, max. 10 m

Front ramp angle 13°

CAPACITY

Placement thickness (max) 500 mm

Theoretical placement capacity 800 t/h

MATERIAL HOPPER

Capacity 17 t

Dumping height (center/outside) 525 mm/530 mm

Hopper width, internal 3.29 m

TRACTION

Maximum paving speed 20 m/min

Transport speed 3 km/h

ENGINE

Manufacturer/Model Cummins/QSB6.7-C190

Emissions according to Stage IIIA (Tire 3)

Rated power, SAE J1995 142 kW (193 Hp) @ 2200 rpm

Electrical system 24 V

Fuel tank capacity 337 l

ENGINE

Emissions according to India BS IV

Rated power, SAE J1995 129 kW @ 2200 rpm

Electrical system 24 V

Fuel tank capacity 362 l

UNDERCARRIAGE

Crawler length 3.36 m

Crawler width 320 mm

Drive Technology Hydrostatic

CONVEYOR

Conveyor type Dual bar feeder

Conveyor width 2 x 655

Conveyor control Automatic with limit switches

AUGER

Auger diameter 380 mm

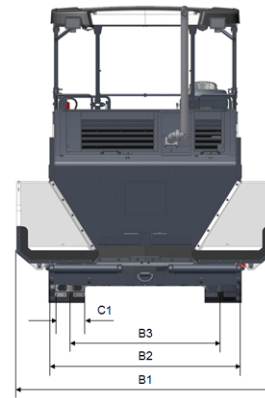
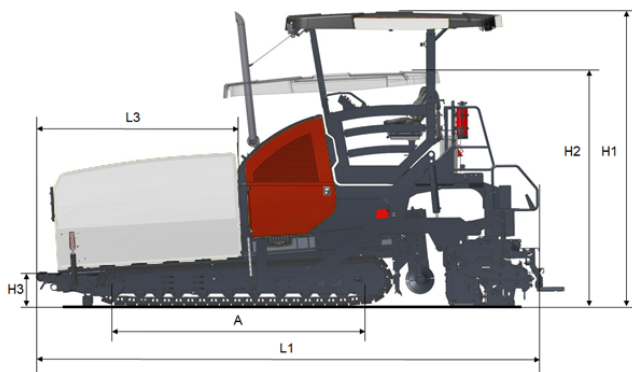
Auger control Automatic with ultrasonic sensors

Find us locally at www.dynapac.com

We reserve the right to change specifications without notice. Photos and illustrations do not always show standard versions of machines. The above information is a general description only, all informations are supplied without liability.



DIMENSIONS

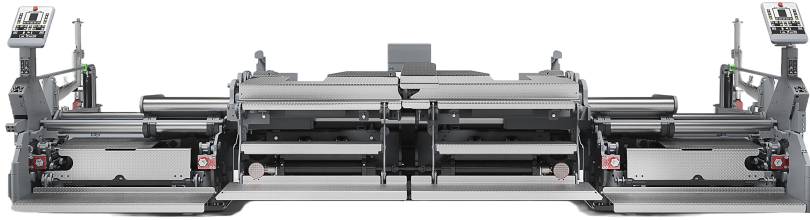


DIMENSIONS

A. Axle track	3360 mm
B1. Width, max.	3470 mm
B2. Width, standard	2550 mm
B3. Width, center of tracks	1992 mm
C1. Track width	320 mm
H1. Height, max.	3900 mm
H2. Height, transport	3100 mm
H3. Height	525 mm
L1. Length	6630 mm
L3. Length, hopper	2600 mm

Find us locally at www.dynapac.com

We reserve the right to change specifications without notice. Photos and illustrations do not always show standard versions of machines. The above information is a general description only, all informations are supplied without liability.



COMPATIBLE SCREEDS

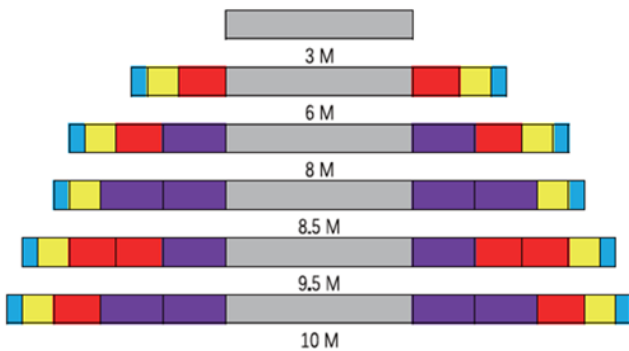
V5100 TV / TV E



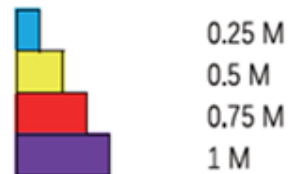
V6000 TV / TV E



R300 TVG / R300 TVE



■ 750 mm extension box ■ 1275 mm V5100 section
■ 350 mm extension box ■ 1500 mm V6000 section



Find us locally at www.dynapac.com

We reserve the right to change specifications without notice. Photos and illustrations do not always show standard versions of machines. The above information is a general description only, all informations are supplied without liability.