



- Intuitive PaveManager 2.0 user interface
- Integrated advanced leveling solutions
- Maximum variability
- Perfect overview with slidable cabin
- Efficient drive train

TECHNICAL DATA

MASSES

Weight (incl. standard screed) 18 t

DIMENSIONS

Working width, max. 7.50 m
 Working width, minimum (with reducing shoe) 2.05 m
 Front ramp angle 17°
 Basic width 2.55 m

CAPACITY

Placement thickness (max) 300 mm
 Theoretical placement capacity 700 t/h

MATERIAL HOPPER

Capacity 6.0 m³
 Dumping height (center/outside) 574 mm /587 mm
 Hopper width, internal 3.29 m

TRACTION

Maximum paving speed 30 m/min
 Transport speed 20.0 km/h

ENGINE

Manufacturer/Model Cummins QSB6.7-C173
 Emissions according to EU Stage IIIA
 Rated power, SAE J1995 129 kW @ 2200 rpm
 Electrical system 24 V
 Fuel tank capacity 315 l

ENGINE

Emissions according to StageV/US EPA T4f
 Rated power, SAE J1995 129 kW @ 2200 rpm
 DEF tank capacity 37 l

UNDERCARRIAGE

Final drive Direct drive over transmissions
 Tyre size 445/80R25
 Front wheels 4 x 560/300-390
 Turning radius (inside) 2.48 m
 Turning radius (outside) 6.07 m

CONVEYOR

Conveyor type Dual bar feeder
 Conveyor control The independent conveyor with proportional control
 Conveyor width 2x 580 mm

AUGER

Auger diameter 380 mm
 Auger control Automatic with ultrasonic sensors

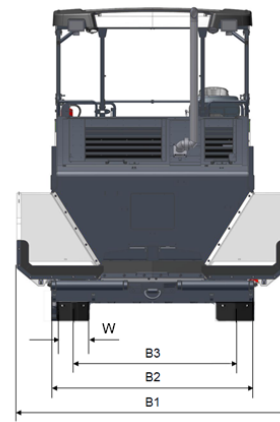
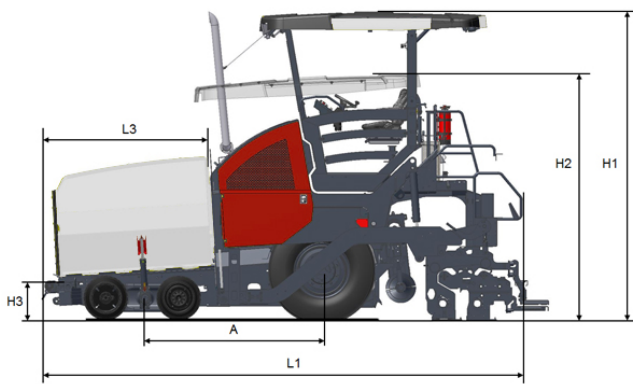
Find us locally at www.dynapac.com

We reserve the right to change specifications without notice. Photos and illustrations do not always show standard versions of machines. The above information is a general description only, all informations are supplied without liability.



- Intuitive PaveManager 2.0 user interface
- Integrated advanced leveling solutions
- Maximum variability
- Perfect overview with slidable cabin
- Efficient drive train

DIMENSIONS

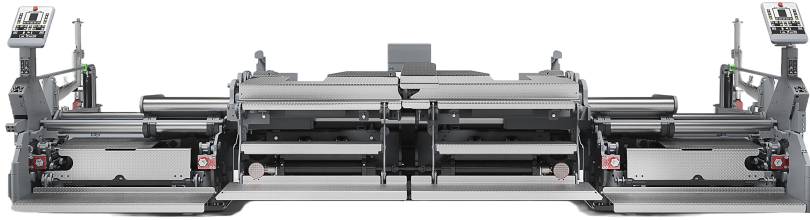


DIMENSIONS

A. Wheelbase	2.24 m
B1. Width, max.	3.25 m
B2. Width, standard	2.55 m
B3. Width, wheel track	2.05 m
H1. Height, max.	3.90 m
H2. Height, transport	3.10 m
H3. Height	0.49 m
L1. Length	6.10 m
L3. Length, hopper	2.12 m

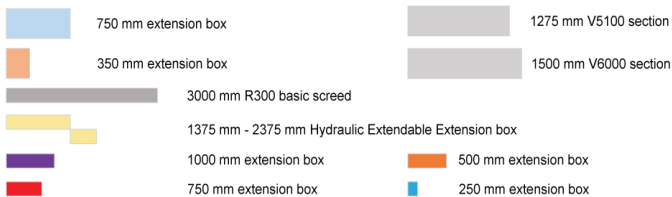
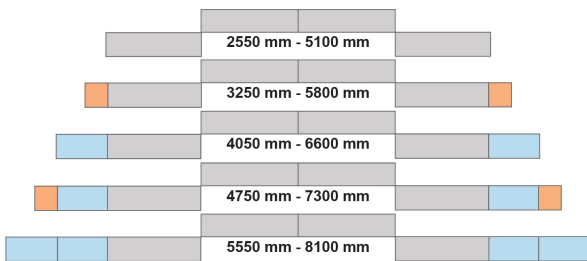
Find us locally at www.dynapac.com

We reserve the right to change specifications without notice. Photos and illustrations do not always show standard versions of machines. The above information is a general description only, all informations are supplied without liability.



COMPATIBLE SCREEDS

V5100 TV / TV E



Find us locally at www.dynapac.com

We reserve the right to change specifications without notice. Photos and illustrations do not always show standard versions of machines. The above information is a general description only, all informations are supplied without liability.