



TECHNICAL DATA

MASSES

Operating mass (incl. ROPS)	6200 kg
Operating mass (incl. Cab)	6400 kg
Module mass (front/rear)	3400/3000 kg
Max. operating mass	6600 kg

COMPACTION

Static linear load	20.0 kg/cm
Nominal amplitude (high/low)	0.9/0.45 mm
Vibration frequency (high/low amplitude)	41/41 Hz
Centrifugal force (high/low amplitude)	96/48 kN
Emulsion tank	13 l
Water tank volume	475 L

TRACTION

Speed range	0-10 km/h
Max. theoretical gradeability	56 %
Vertical oscillation	±9°

HYDRAULIC SYSTEM

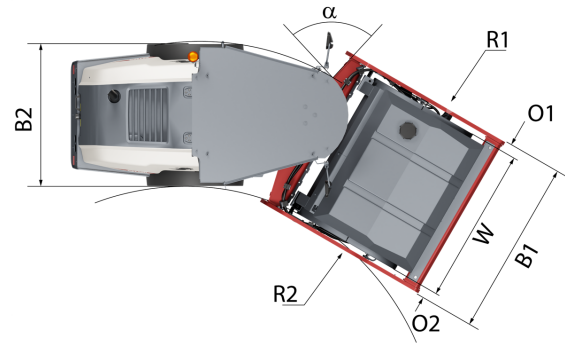
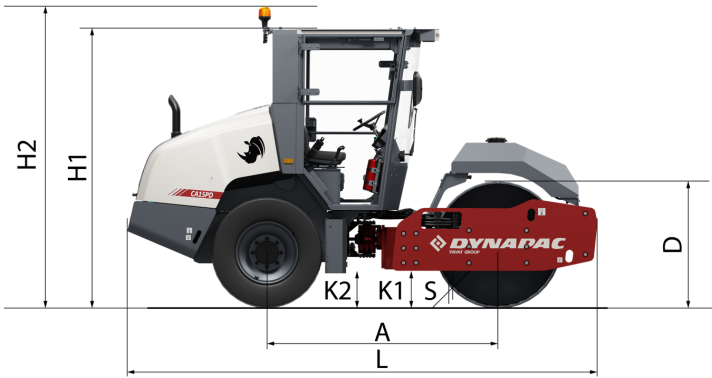
Driving	Hydrostatic with a traction pump supplying two parallel connected motors, one on rear axle and one on drum
Vibration	Hydrostatic with a vibration pump supplying a motor connected to the eccentric axle generating the vibrations
Steering	Mechanical-hydraulic with steering valve supplying the steering cylinder. Steering angle is proportional to steering wheel
Service brake	Hydrostatic in forward and reverse lever
Parking/ Emergency brake	Failsafe multidisc brake in rear axle and front drum motor

ENGINE

Manufacturer/Model	Kubota V3307-DI Stage IIIA/Tier 3
Type	Water cooled turbo Diesel
Rated power, SAE J1995	55 kW (75 hp)@ 2.200 rpm
Fuel tank capacity	117 l

Find us locally at www.dynapac.com

We reserve the right to change specifications without notice. Photos and illustrations do not always show standard versions of machines. The above information is a general description only, all information's are supplied without liability.



DIMENSIONS

DIMENSIONS

A. Wheelbase	2200 mm
B1. Width, front	1870 mm
B2. Width, rear	1530 mm
D. Drum diameter	1220 mm
H1. Height, with ROPS/cab	2700 mm
H2. Height, max.	2780 mm
K1. Ground clearance	360 mm
K2. Curb clearance	360 mm
L. Length	4510 mm
O1. Overhang, right	95 mm
O2. Overhang, left	95 mm
R1. Turning radius, outside	4580 mm
R2. Turning radius, inside	2900 mm
S. Drum shell thickness	22 mm
W. Drum width	1680 mm
α. Steering angle	±33°

STANDARD EQUIPMENT

- Back up alarm
- Battery switch (std)
- Brake release
- Cab with AC
- Cup and can holder
- Differential lock (limited slip)
- Drive control (right side)
- Drum drive, ECO mode
- Emergency stop
- Engine 55 kW(StagelIIIA/Tier3)
- Engine hood lockable
- Fuel level display
- High mounted exhaust pipe
- Horn
- Hour meter display
- Hydraulic checkpoints
- Hydraulic fluid filter "spin-on"
- Hydraulic fluid (mineral)
- Interlock, Key (starter)
- Lifting points
- Lifting points for jack
- Manuals (Operation & Maintenance)
- Manuals (Spare parts catalogue)
- Operator's platform (rubber mouted)
- Operator's station(fixed)
- Parking brake
- Seat (adjustable)
- Seat belt 2"
- Storage for laminated manuals
- Tie down points
- Vandal cover (instrument panel)
- Warning lights (brake, engine oil pressure, engine oil temperature, Engine diagnostics, low charge, low fuel level)

OPTIONAL EQUIPMENT

- Dyn@link Basic
- ROPS Platform
- Rotating Beacon
- Storage box (on ROPS platform)

Find us locally at www.dynapac.com

We reserve the right to change specifications without notice. Photos and illustrations do not always show standard versions of machines. The above information is a general description only, all information's are supplied without liability.